

# TIDD

**CRANE** ///

## TIDD PC28-3G

# CLEANER STRONGER SAFER

3G



**TRT** MADE POSSIBLE

---

# PC28-3G OVERVIEW

---

The TIDD PC28-3G is a mobile articulated crane with a maximum lifting capacity of 28 tonne. The TIDD PC28-3G prioritises safety and provides superb roadability, outstanding lifting capacities, and unparalleled versatility. The TIDD Crane has proven itself to be the safest pick and carry crane in Australia and now features the highest emission control diesel engine available.

The development of the TIDD PC28-3G is driven by TRT's continuous focus on innovation and actively exceeding expectations for our customers.

---

## ENGINE

**Euro 6 - 239kW / 320hp Cummins ISB6.7 Engine. The Euro 6 engine provides up to a 90% decrease in particulate exhaust emissions, contributing to a healthier environment for operators, riggers and the planet.**

## TRANSMISSION

**Allison Transmission with retarder, providing retardation-style braking capabilities.**

- SAFETY: The retarder delivers increased safety and control.
- Lowered operational expenses from a reduction in repairs and maintenance.
- Improved user experience.
- Reduced noise in urban areas compared to an engine braking system.
- The transmission has 6 forward speeds. Speed Limited to 80km/hr

## Full Power Boom

With the 18.65m full power boom, a 75% stationary chart for the heavy lifts, and 66% pick and carry chart, the TIDD PC28-3G packs, a massive punch. Made from high-tensile steel, telescope sections 1 and 2 are fully synchronised and provide hook compensation.

## Huge Lift Capability

With a 28t maximum lift on the lug and 27.6t on the hook block, the TIDD PC28-3G delivers outstanding lifting capacities for improved efficiency and greater lift options, setting a new benchmark in the industry. Moving from the stationary chart to the pick and carry chart is as simple as turning off the hold brake. You can now lift more and move more safely without compromise.

Including more powerful front suspension cylinders, lifting capacity has increased by an average of 17% when articulated or working on a side slope and in some cases by over 40% in lifting performance. The optional 1.1t Superlift counterweight will increase lift capacity.

## Focused on Safety

Designed to maximise operation safety, the TIDD PC28-3G will minimise risk on the work site and the road. Safety features include Dynamic LMI with a deadlock switch inside the cabin and an LMI bridging switch outside the cabin. Slew Safe® is a critical safety component that is included with all TIDD PC28-3G Cranes.

The innovative safety features of the TIDD Crane, including the LMI bridging switch as standard, enable the TIDD PC28-3G to legitimately operate under EN13000 standards. This also means that the TIDD PC28-3G is the only Pick and Carry Crane in its class with a 75 percent stationary lift chart.

## Superior Roadability

**Traveling between sites is effortless with a maximum speed of 80km per hour (speed limited) with reduced ambient noise, and ABS braking for improved safety.**

It is driven by a Cummins Engine Allison Transmission. With its superior suspension, the TIDD PC28-3G is 12 tonne per axle on the road including its 2.3 tonne removable counterweight. No IAP and no permits in NSW.

## The Ultimate in Comfort

From the ergonomically designed forward mounted ROPs style cabin, with two-door configuration and ducted air conditioning, to the 150kg rated air suspension seats and 3-point safety belts, this crane is designed for comfort over long hours, helping to reduce operator fatigue!

## Manufactured for the Industry

TRT has been designing and manufacturing heavy equipment, cranes, and trailers for over 56 years. With real expertise in crane design and manufacture, TRT is the home of the TIDD Crane.

Many of the TIDD PC28-3G features are designed based on industry and operator feedback, improving safety, lift control, and capability, and by drawing on technology and knowledge from our renowned manufacturing ability and experienced team. TRT's manufacturing operation is ISO9001-2015 accredited

## Service and Support 24/7

TRT makes upgrading your fleet to include TIDD PC28-3G simple and efficient for all operators and owners. TRT's service and spare parts support, warehouse facilities, and network of experienced dealers throughout Australia and New Zealand are second to none.

The choice to opt for a Cummins engine was significantly influenced by the outstanding Cummins Service Network. With 37 branches and 170 authorised dealers spread across the South Pacific, their support is unmatched.

---

**TRT is committed to supporting operations and uptime, 24/7.**

---

## Operator Familiarisation

TRT has developed an exclusive and comprehensive operator familiarisation program for training operators. The program is designed to suit your schedule and location. Your team is supported by experienced TIDD Crane experts 24/7 with our new comprehensive video which is included with your TIDD Crane\*.

\*Conditions apply

# EURO 6 CUMMINS ENGINE

**The Cummins ISB6.7 is certified to the world's toughest emission standard calling for near zero emissions.**

Cummins designs, develops and supports every component from the air handling to the exhaust aftertreatment to work as a totally integrated system - so every function is optimised better than other engine manufacturers.

## FEATURES AND BENEFITS

The ISB6.7 comes equipped with leading edge technology, to provide key operational benefits.

This engine delivers exceptional performance with the reliability and durability expected from Cummins. Whatever your application, the ISB6.7 will provide a low cost operation and maximum uptime.

### FUEL ECONOMY

The ISB6.7 achieves best in class fuel economy through integration of critical engine technology and sub-systems.

### TECHNICAL INNOVATION

Ensures the ISB6.7 has low maintenance requirements and long service intervals.

### ISB6.7 Specifications

Advertised Horsepower	320hp (239kW)
Peak Torque	885 lb-ft
Governed Speed	2600 rpm
Clutch Engagement Torque	400 lb-ft
Number of Cylinders	6
System Weight	616 kg
Engine (Dry)	522 kg
Aftertreatment System*	94 kg

\*Increase over standard muffler; does not include chassis OEM-supplied components

**\*CUMMINS AFTERTREATMENT SYSTEM FROM CUMMIN EMISSION SOLUTIONS** - Proprietary system consists of a Diesel Particulate Filter (DPF) and Selective Catalytic Reduction (SCR) technology for near-zero emissions.



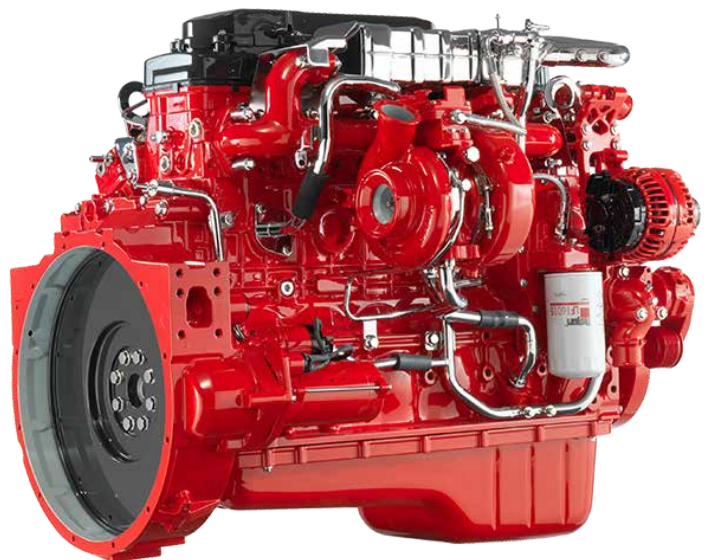
### ISB6.7 Ratings

Engine Model	Advertised HP (kW)	Peak Torque LB-FT (N•m)@RPM
ISB6.7	320 (239)	885 (1200) @ 1100

## THE CLEANEST TRUCK ENGINE

Meeting current and future emission standards, the ISB6.7 is certified to Euro 6. This is achieved by integrating in house design and assembly, allowing Cummins to calibrate the engine and aftertreatment system for optimum fuel economy and performance.

**The emissions are managed by the proven Cummins Aftertreatment System\*, which has been thoroughly tested and validated under the most extreme conditions.**



# PC28-3G FEATURES Page 1/2

## 1: COUNTERWEIGHT

2.3 tonne roadable counterweight. Optional Superlift counterweight available (see page 9).



## 2: EMERGENCY STOP BUTTONS

- Inside cabin
- Either side of the crane articulation area.

LMI override key is located outside behind the cabin.



## 3: ARTICULATION

Articulation 44° either side of centre providing unmatched maneuverability, best in class.



## 4: ROPs STYLE CABIN

ROPs, 2-person cabin, seats have integrated seatbelts. Double door access. Optional FOPs for optimal protection.



## 5: ENGINE

Euro 6 Cummins Engine, the highest emission control diesel engine in the pick and carry crane market (see page 3).



## 6: VISIBILITY

Mirrors are placed for optimised visibility. Additional cameras are also available for increased safety.



## 7: DYNAMIC LMI

Advanced LMI technology automatically configures lifting chart when operating on side slopes.



## 8: CARRY DECK

1 Tonne capacity carry deck with restraint points.



## 9: BOOM

6.12-18.65m high tensile full power boom with 4 telescope sections manufactured in house.



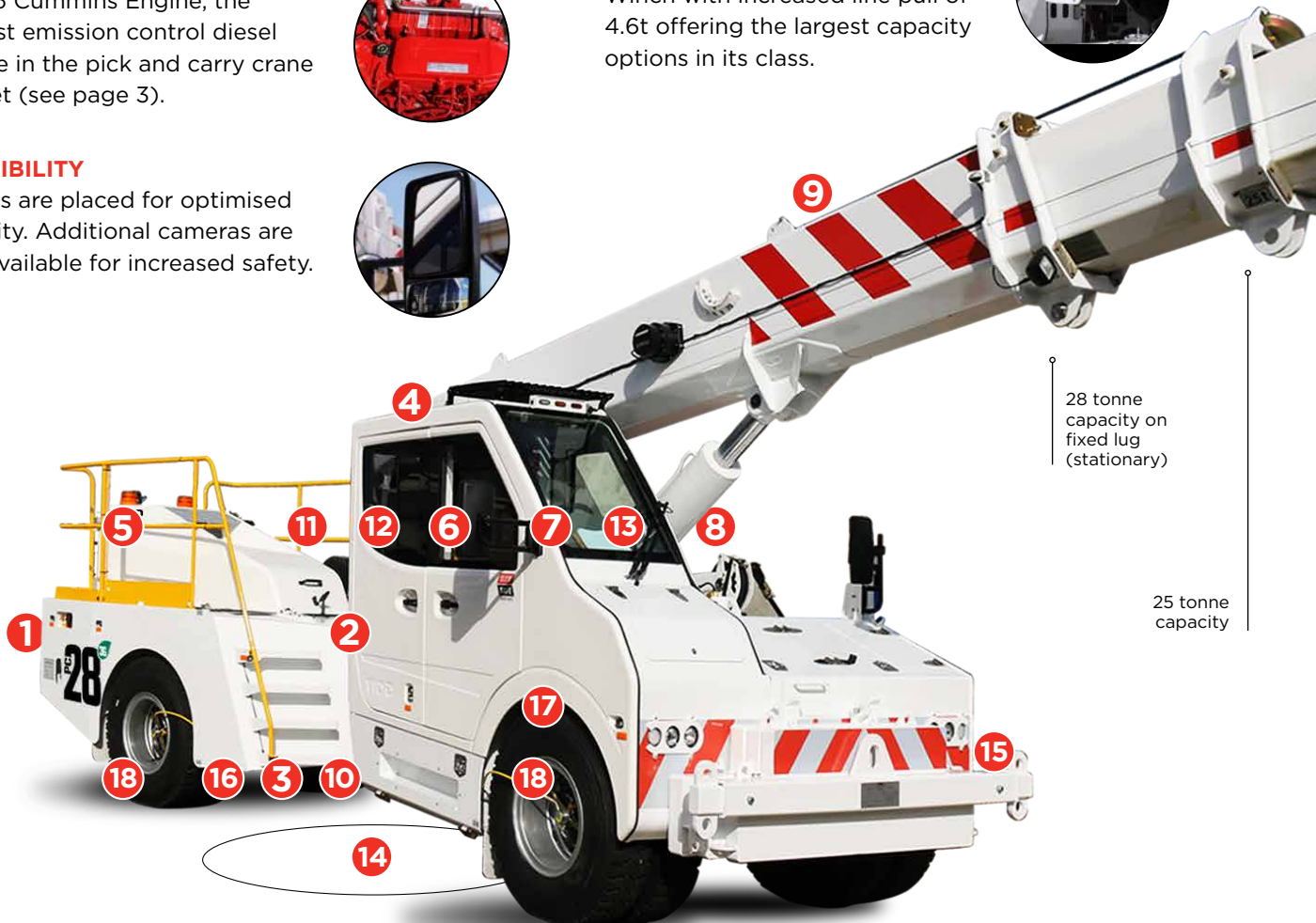
## 10: WIRING LOOM PROTECTION

Robotic style cable through the pivot with a woven protection in exposed areas giving improved durability and life extension.



## 11: WINCH

Winch with increased line pull of 4.6t offering the largest capacity options in its class.



# PC28-3G FEATURES

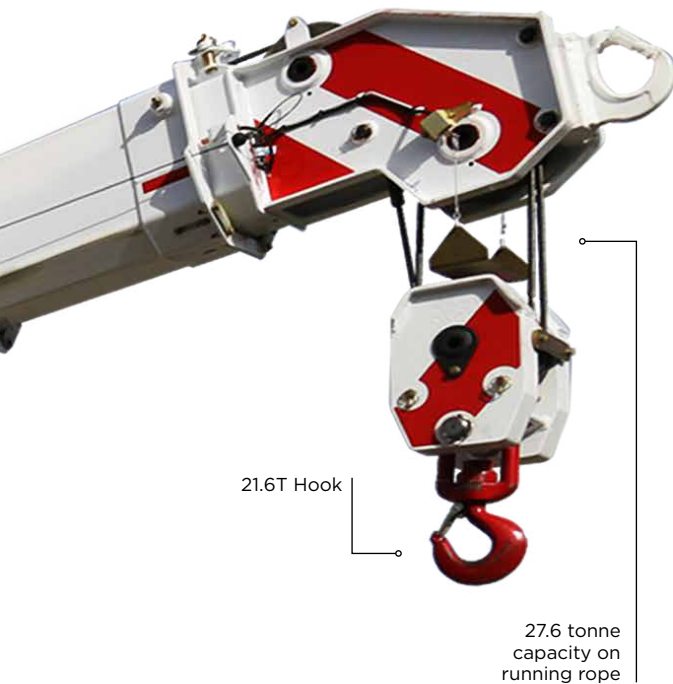
Page 2/2

## 12: OPERATOR COMFORT

With operator comfort a priority, Red Dot air conditioning provides advanced cooling technology designed for the harshest conditions, extended leg room for the dogman, 2 x 5 star comfort rated 150kg air suspension seats with 3-point seat belts and additional USB ports makes operating a true pleasure.



The TIDD is Australia's safest pick and carry crane, engineered to the highest quality of design, with all components being manufactured and assembled at TRT Hamilton, New Zealand.



## 13: SLEW SAFE®

Slew Safe® is a critical safety component that is exclusive to TRT and included in all TIDD PC28-3G cranes. The innovative safety feature of the TIDD Crane, including LMI bridging switch as standard, enables the TIDD PC28-3G to legitimately operate under EN13000 standards. This also means that the TIDD PC28-3G is the only pick and carry crane in its class with a 75% lift chart with holding brake applied (see page 8).



## 14: TURNING RADIUS

With its modern compact design, a width of only 2.5 mtrs and a 44° articulation making it the most maneuverable PC on the market.



## 15: HEADLIGHTS

Newly designed head lights with modern LED technology giving long life span, low heat levels, brighter light, reliability and environmentally friendly.



## 16: BRAKE RETARDER

New transmission retarder operating through the PTO supplies superior braking retardation downhill delivering reduced noise levels, increased safety and control - resulting in less wear and tear on brakes.



## 17: SUPERIOR SUSPENSION

Hydro-pneumatic front suspension offers the operator superior highway road handling and advanced stability on uneven terrain.



## 18: TRT TRACTION AIR®

TRT Traction Air® CTI Tyre Pressure Control System is an optional extra. Creating a stable lift platform, improving crane safety, and operator confidence. There is no need for manual tyre pressure checks on start-up, reducing pre-start times (see page 9).



# PC28<sup>3G</sup>

# DIMENSIONS

## CAPACITY

28 tonne capacity on fixed lug  
27.6 tonne capacity on running rope

## BOOM

6.12-18.65m high tensile steel  
4 section full power boom

## ARTICULATION

44° either side of the centre

## SPEED

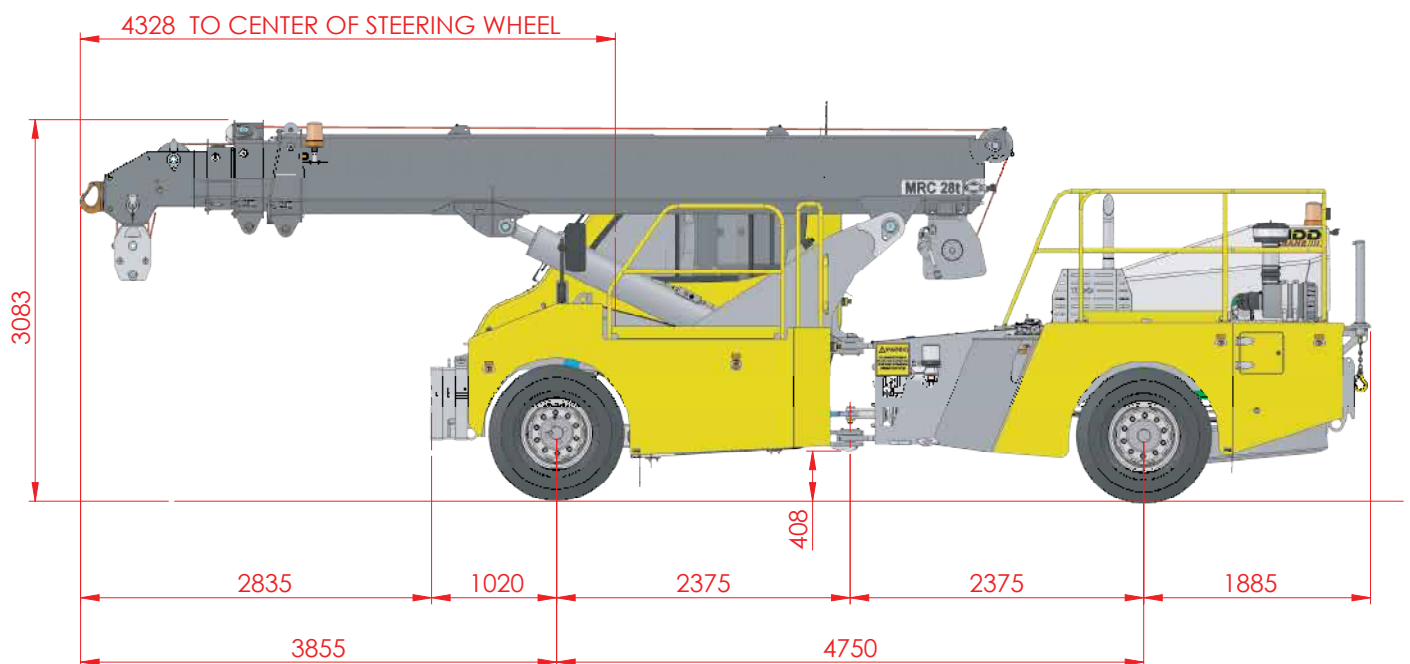
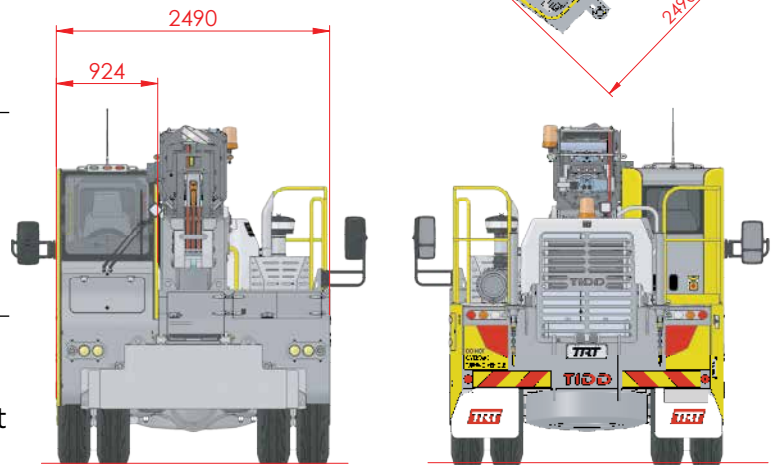
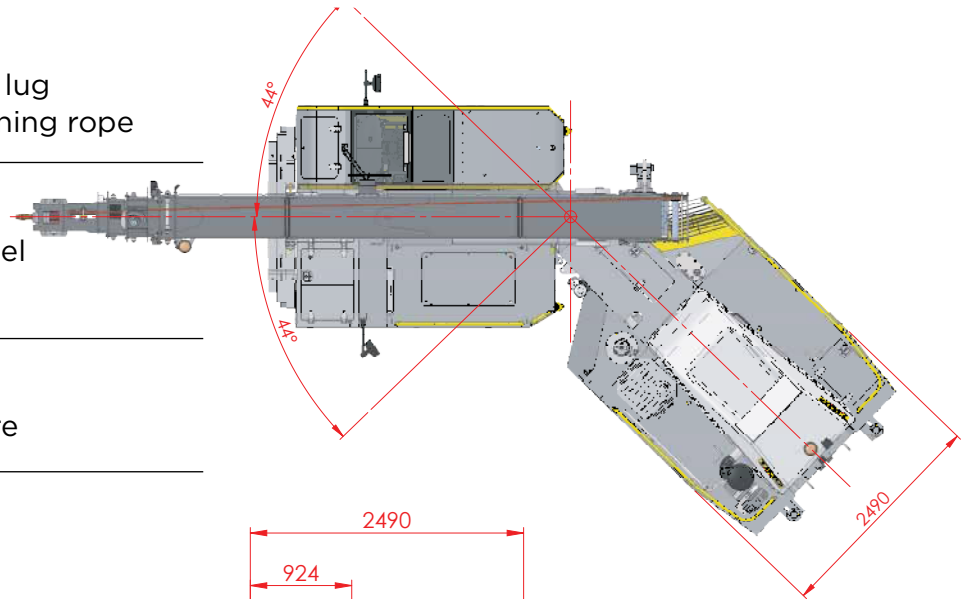
Max 80km/hr

## MASS

Gross vehicle mass 23.9 tonne  
Front axle mass 11.9 tonne  
Rear axle mass 12 tonne

## COUNTERWEIGHT

2.3 tonne roadable, front and rear mount



# SPECIFICATIONS

The TIDD PC28-3G is built with specialist features for construction and mining. There are a wide range of options available to tailor the crane to your application. If the options you require are not listed below, please contact one of our experts.

CRANE	DRIVELINE	OPERATOR
Double acting hydraulic cylinders (-6 to + 65°) with integral holding valve, allowing rigging to drop straight into the front chain box from the hook.	Euro 6 Cummins Engine, the highest emission control diesel engine in the pick and carry crane market.	Forward mounted cabin provides excellent vision.
Anti-two block device.	Allison 3000 series automatic transmission with retarder, 6 speeds forward.	ROPs style, 2-person cabin with double door access.
Robway RC18510 Dynamic Load Indicator with automatic cutouts and digital display.	Kessler high-speed planetary axles with diff lock on front axle.	2 x 150 kg rated air suspension seats with 3-point seat belts.
A dash mounted deadlock switch allowing a temporary increase to 110% RC only with reduced function speeds.	ZF transfer case.	Large dry storage area via the hinged cabin steps, ideal for storing soft slings.
A key locked bridging switch is mounted externally on the cab limiting access to authorised persons.	410 litre fuel tank with locking cap.	Hand rails and access steps all have 3 points of contact at all times.
Joystick control of boom and winch functions with 2-speed winch button, boom-telescoping switch proportionally controlled, and boom luffing with dead man trigger on grip.	Automatically activated emergency hydraulic steering.	
15 tonne capacity Rhino hook.	Dual line full air brakes on all wheels with ABS.	
4.6 tonne line pull Braden PD15 2-speed winch with automatic disc brakes and third wrap indicator.	Pneumatically released spring applied emergency / park brake on all wheels.	
14mm non-rotating wire rope x 6 falls.	Holding brake for front right wheel to allow slewing during stationary lifting.	
15 tonne capacity spreader bar.	Auto grease system.	
Large 2-sectioned chain box at the front of the crane and accessed directly from the hook.	TIDD hydro-pneumatic suspension on the front axle with hydraulic lockout for crane mode and automatic height adjustment for road mode.	
1 tonne capacity carry deck with restraint points.	Heavy duty parabolic spring suspension on rear.	
Two work lights on the boom and one rotating beacon on the boom and engine cover.	High quality load sensing piston pump for hydraulic system, 305 litre hydraulic tank with filtration byway of pressure and return line filtration.	
Three emergencies stop buttons, in cabin and either side of the crush zone in the articulation area.	Battery isolator, external jump start terminals and starter isolator as standard.	
Tri light safe load indicator on cabin roof with audible alarm.	LED 24V lighting system	
CraneSafe inspection.	Right side rear handrail for safe servicing of the engine area.	
1 year warranty standard.	65L AdBlue (Diesel Exhaust Fluid) tank with fluid level display on main control panel	
		Safety glass throughout.
		1.5 kg fire extinguisher.
		Mirrors - placement for optimised visibility.
		Reversing camera and alarm.
		Red Dot Air conditioning.
		Bluetooth, Radio and USB Port.
<b>OPTIONS</b>		
Crane	1.1 tonne Superlift Counterweight	
	TRT Traction Air® CTI Tyre Pressure Control System. Exclusive to TIDD Crane. Front and rear axles.	
	25° offset attachment for Rhino	
	Winch Camera	
	1.9m offset Fly Jib 0°, 20° and 40° offsets	
	Spare tyre and wheel	
	Spare wheel winch assembly for carrying under rear chassis	
	Loose wheel nut indicators supplied and installed	
	Custom paint to match your fleet (2 solid colours).	
	Man Basket - Supply Only	
	9.2t capacity single sheave hook block	
30t Hook		
Operator	Refrigerated compartment under dogman seat	
	Seat covers for operator & dogman	
	9 kg fire extinguisher mounted front chassis left side	
	FOPS (Certified Cab Fall Protection System)	
	UHF radio supplied and installed	
	First aid kit	
	Overhead electrical safety warning system	
	Fogmaster fire suppression system	
Guard for operator's cabin - left hand window		
Driveline	Engine fan belt guard assembly	
	Magnetic drain plug for hydraulic oil tank	
<p><b>This options list is not exhaustive. There are a range of other options available for the TIDD PC28-3G. If you do not see an option specified on the list above, please contact the manufacturer for a full list of options available.</b></p>		

# SLEW SAFE® INCLUDED IN YOUR TIDD PC28-3G

**Slew Safe delivers peace of mind for drivers, dogman, crane owners and site owners, with improved safety, risk management and duty of care.**

Slew Safe simply and effectively allows the TIDD operator to pick and carry a load knowing that they will be warned and restricted. No other pick and carry crane has this level of safety.

## HOW SLEW SAFE WORKS:

When the crane in operation moves from green and amber to **RED**, this is an overload notification (based on the lifting chart). This will activate the Slew Safe.

**When the crane is operated in the GREEN and AMBER areas of the lifting chart, Slew Safe will remain inactive.**

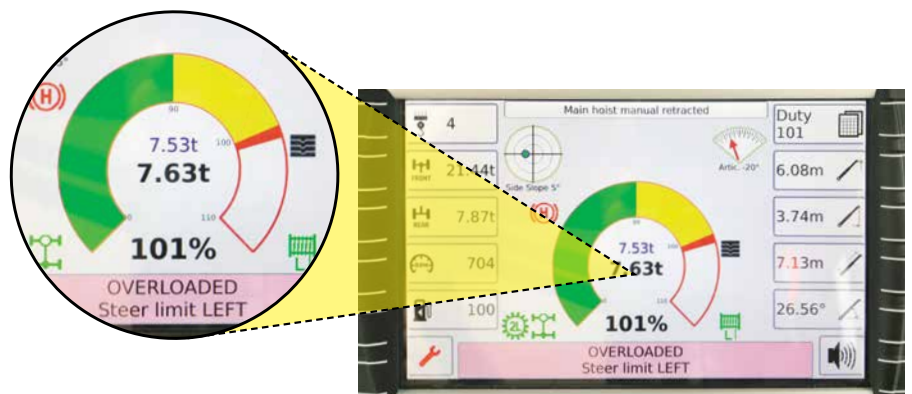
## ACTIVATION OF SLEW SAFE WILL:

- Reduce speed of the steering to 15% in the unsafe direction
- Makes steering harder with instant feedback through the steering wheel to operator
- The engine will “load up” making an audible sound change for operator
- Constant audible alarm inside and outside cabin to warn operator and dogman of overload

**Retains ability to move back to the safe direction for normal operation in GREEN.**



Watch the Slew Safe demonstration << video



Australian Innovation Patent No. 2019100317

“One of the fundamental principles shaping our plant investment strategy is a strong focus on safety. It’s worth highlighting that the TIDD PC28-2 demonstrates great safety features, including TRT’s exclusive Slew Safe® system, a critical safety component specifically designed to help prevent rollovers”

**Nathan Mitschuinig, Select’s Business Unit Leader.**

“The safety focus of the crane in the way in which it mitigates risks to stakeholders and protects staff was a significant factor that influenced our decision... I believe the TIDD Crane is becoming extensively talked about and more popular due to the safety innovations” **Rosario Giammona (Ross), Director of Vamp Cranes**



# SUPERLIFT COUNTERWEIGHT +12% CAPACITY

The Superlift counterweight allows you to lift up to 12% heavier loads in both pick & carry and on stationary charts.

When fitted to the base of the 2.3t roadable counterweight, the optional 1.1t Superlift Counterweight simply and effectively increases the capacity of the crane.

- 1.1t allows transport to, site under 3.5t with car licence
- Operator-friendly loading system using the crane
- Proximity sensor, auto-sensing for safety
- Fast and easy to set up
- Simple to use

For further information and lift charts please refer to pages 10-11 for both Pick and Carry and Stationary charts. Other lift charts are available on request.



“The crane features are perfect for the operating conditions. The TIDD Pick and Carry Crane is narrow, tight, and ideal for confined areas but still has the lifting capacity we need” **Ian Rowan, Director of QME Engineering**

**TRT** TRACTION  
**AIR**

## TYRE PRESSURE MANAGEMENT

TRT Traction Air® Smart CTI System is designed and manufactured by TRT Ltd

TRT Traction Air® manages tyre pressure to the standard 130psi on all 4 front and rear tyres, creating a stable lift platform and improving crane safety.

- Incorrect tyre pressure, over inflation or punctured tyres can put operators at risk.
- **Constant tyre pressure monitoring** with Traction Air allows operators to lift safely, and correctly every time. From a simple to use touch screen in the cab, instant leak and puncture alarms notify the operator of a change, reducing risk of serious incidents.
- **Improve safety and operator confidence.** There is no need for manual tyre pressure checks on start- up increasing valuable up time. No matter the surface temperature, even on bitumen, tyres on TIDD PC28-3G will remain at 130psi.
- Based on more than 25 years of product innovation and exclusive to TIDD PC28-3G, Traction Air has a **3 year /500,000km warranty\***.



# LOAD CHART 66%

## PICK & CARRY

0 - 0.6° CRANE SIDE SLOPE: PC28 MOBILE CRANE: MAIN HOIST - 2270kg COUNTERWEIGHT ON: REAR														
BOOM LENGTH (M)	6.12	7.00	8.00	9.00	10.00	11.00	12.00	13.00	14.45	15.50	16.50	17.50	18.64	
1 Meter Radius	0-10°	25000	25000	25000										
	16-20°	23000	23000	23000										
	26-30°	20500	20500	20500										
	36-44°	17500	17500	17500										
	Boom Angle °	53	58	62										
1.5 Meter Radius	0-10°	22100	22100	22100	22100									
	16-20°	20330	20330	20330	20330									
	26-30°	18120	18120	18120	18120									
	36-44°	15470	15470	15470	15470									
	Boom Angle °	47	53	58	62									
2 Meter Radius	0-10°	20500	20500	20500	20500	20500								
	16-20°	18860	18860	18860	18860	18860								
	26-30°	16810	16810	16810	16810	16810								
	36-44°	14350	14350	14350	14350	14350								
	Boom Angle °	40	48	54	58	62								
2.5 Meter Radius	0-10°	19000	19000	19000	19000	19000	19000							
	16-20°	17480	17480	17480	17480	17480	17480							
	26-30°	15580	15580	15580	15580	15580	15580							
	36-44°	13300	13300	13300	13300	13300	13300							
	Boom Angle °	32	42	49	55	59	62	64						
3 Meter Radius	0-10°	16600	16400	16400	16400	16400	16400	16000	15800					
	16-20°	15270	15090	15090	15090	15090	15090	14720	14540					
	26-30°	13610	13450	13450	13450	13450	13450	13120	12960					
	36-44°	11620	11480	11480	11480	11480	11480	11200	11060					
	Boom Angle °	21	35	44	51	55	59	62	64					
3.5 Meter Radius	0-10°		14400	14100	13900	13700	13500	13300	13100					
	16-20°		13248	12972	12788	12604	12420	12236	12052					
	26-30°		11808	11562	11398	11234	11070	10906	10742					
	36-44°		10080	9870	9730	9590	9450	9310	9170					
	Boom Angle °		27	39	46	52	56	59	61					
4 Meter Radius	0-10°		12050	11800	11800	11800	11800	11700	11500	11400				
	16-20°		11090	10860	10860	10860	10860	10760	10580	10490				
	26-30°		9880	9680	9680	9680	9680	9590	9430	9350				
	36-44°		8440	8260	8260	8260	8260	8190	8050	7980				
	Boom Angle °		16	33	42	48	53	56	59	62				
4.5 Meter Radius	0-10°			10750	10750	10750	10700	10600	10500	10500	10500			
	16-20°			9890	9890	9890	9840	9750	9660	9660	9660			
	26-30°			8820	8820	8820	8770	8690	8610	8610	8610			
	36-44°			7530	7530	7530	7490	7420	7350	7350	7350			
	Boom Angle °			25	37	44	49	53	56	60	62			
5 Meter Radius	0-10°			9500	9500	9450	9400	9350	9300	9350	9400	9400		
	16-20°			8740	8740	8690	8650	8600	8560	8600	8650	8650		
	26-30°			7790	7790	7750	7710	7670	7630	7670	7710	7710		
	36-44°			6650	6650	6620	6580	6550	6550	6510	6550	6580	6580	
	Boom Angle °			15	31	40	46	50	54	57	60	62	64	
6 Meter Radius	0-10°				7700	7700	7700	7700	7650	7600	7600	7700	7800	7800
	16-20°				7080	7080	7080	7080	7040	6990	6990	7080	7180	7180
	26-30°				6310	6310	6310	6310	6270	6230	6230	6310	6400	6400
	36-44°				5390	5390	5390	5390	5360	5320	5320	5390	5460	5460
	Boom Angle °				15	29	38	44	48	52	56	58	60	62
7 Meter Radius	0-10°					6400	6400	6400	6300	6200	6250	6300	6400	6500
	16-20°					5890	5890	5890	5800	5700	5750	5800	5890	5980
	26-30°					5250	5250	5250	5170	5080	5130	5170	5250	5330
	36-44°					4480	4480	4480	4410	4340	4380	4410	4480	4550
	Boom Angle °					14	28	36	42	47	51	54	56	58
8 Meter Radius	0-10°						5100	5100	5100	5100	5150	5200	5250	5350
	16-20°						4690	4690	4690	4690	4740	4780	4830	4920
	26-30°						4180	4180	4180	4180	4220	4260	4310	4390
	36-44°						3570	3570	3570	3570	3610	3640	3680	3750
	Boom Angle °						13	27	35	42	46	49	52	54
10 Meter Radius	0-10°								3800	3800	3800	3900	3950	4000
	16-20°								3500	3500	3500	3590	3630	3680
	26-30°								3120	3120	3120	3200	3240	3280
	36-44°								2660	2660	2660	2730	2770	2800
	Boom Angle °								12	28	35	39	43	47
12 Meter Radius	0-10°										3200	3200	3200	3250
	16-20°										2940	2940	2940	2990
	26-30°										2620	2620	2620	2670
	36-44°										2240	2240	2240	2280
	Boom Angle °										18	27	33	38
14 Meter Radius	0-10°											2550	2600	
	16-20°											2350	2390	
	26-30°											2090	2130	
	36-44°											1790	1820	
	Boom Angle °											17	26	
15.9 Meter Radius	0-10°												2150	
	16-20°												1980	
	26-30°												1760	
	36-44°												1510	
	Boom Angle °													0

PICK AND CARRY	LMI DUTY 101-66
Orange	Boom Length (M)
Yellow	Rated Capacity (kg) for 0°-10° Articulation
Light Green	Rated Capacity (kg) for 16°-20° Articulation
Green	Rated Capacity (kg) for 26°-30° Articulation
Dark Green	Rated Capacity (kg) for 36°-44° Articulation

- STABILITY AS PER EN13000:2010 (MOD) AND AS1418.5 2013 PART 4.1.2.6.1 PICK AND CARRY 66.6% OF TIPPING LOAD
- OPERATION OF THIS MACHINE WITH HEAVIER LOADS THAN THE CAPACITIES LISTED IS STRICTLY PROHIBITED. MACHINE TIPPING WITH BOOM EXTENSION OCCURS RAPIDLY AND WITHOUT ADVANCE WARNING
- LIFTING IS TO BE VERTICAL ONLY
- MASS OF SLINGS AND HOOK BLOCK TO BE ADDED TO LOAD
- DURING OPERATION, WIND SPEED MUST NOT EXCEED 36 KM/H (10 M/S)
- READ AND UNDERSTAND CRANE USER MANUALS BEFORE OPERATING
- BOOM ANGLE IS WITH RESPECT TO THE HORIZONTAL
- SPARE WHEEL NOT INCLUDED AS COUNTERWEIGHT

10/10/2022

# LOAD CHART 75%

## STATIONARY

0 - 0.6° CRANE SIDE SLOPE: PC28 MOBILE CRANE: MAIN HOIST - 2270kg COUNTERWEIGHT ON: REAR													STATIONARY	LMI DUTY 101-75		
BOOM LENGTH (M)		6.12	7.00	8.00	9.00	10.00	11.00	12.00	13.00	14.45	15.50	16.50	17.50	18.64	Boom Length (M)	
1 Meter Radius	0-10°	28000	28000	28000											Rated Capacity (kg) for 0°-10° Articulation	
	16-20°	25760	25760	25760											Rated Capacity (kg) for 16°-20° Articulation	
	26-30°	22960	22960	22960											Rated Capacity (kg) for 26°-30° Articulation	
	36-44°	19600	19600	19600											Rated Capacity (kg) for 36°-44° Articulation	
	Boom Angle °	53	58	62												
1.5 Meter Radius	0-10°	24860	24860	24860	24860											
	16-20°	22870	22870	22870	22870											
	26-30°	20390	20390	20390	20390											
	36-44°	17400	17400	17400	17400											
	Boom Angle °	47	53	58	62											
2 Meter Radius	0-10°	23060	23060	23060	23060	23060										
	16-20°	21220	21220	21220	21220	21220										
	26-30°	18910	18910	18910	18910	18910										
	36-44°	16140	16140	16140	16140	16140										
	Boom Angle °	40	48	54	58	62										
2.5 Meter Radius	0-10°	21380	21380	21380	21380	21380	21380	21380								
	16-20°	19670	19670	19670	19670	19670	19670	19670	19670							
	26-30°	17530	17530	17530	17530	17530	17530	17530	17530							
	36-44°	14970	14970	14970	14970	14970	14970	14970	14970							
	Boom Angle °	32	42	49	55	59	62	64								
3 Meter Radius	0-10°	18680	18450	18450	18450	18450	18450	18000	17780							
	16-20°	17190	16970	16970	16970	16970	16970	16560	16360							
	26-30°	15320	15130	15130	15130	15130	15130	14760	14580							
	36-44°	13080	12920	12920	12920	12920	12920	12600	12450							
	Boom Angle °	21	35	44	51	55	59	62	64							
3.5 Meter Radius	0-10°		16200	15860	15640	15410	15190	14960	14740							
	16-20°		14900	14590	14390	14180	13970	13760	13560							
	26-30°		13280	13010	12820	12640	12460	12270	12090							
	36-44°		11340	11100	10950	10790	10630	10470	10320							
	Boom Angle °		27	39	46	52	56	59	61							
4 Meter Radius	0-10°		13560	13280	13280	13280	13280	13160	12940	12830						
	16-20°		12480	12220	12220	12220	12220	12110	11900	11800						
	26-30°		11120	10890	10890	10890	10890	10790	10610	10520						
	36-44°		9490	9300	9300	9300	9300	9210	9060	8980						
	Boom Angle °		16	33	42	48	53	56	59	62						
4.5 Meter Radius	0-10°		12090	12090	12090	12040	11930	11810	11810	11810						
	16-20°		11120	11120	11120	11080	10980	10870	10870	10870						
	26-30°		9910	9910	9910	9870	9780	9680	9680	9680						
	36-44°		8460	8460	8460	8430	8350	8270	8270	8270						
	Boom Angle °		25	37	44	49	53	56	60	62						
5 Meter Radius	0-10°		10690	10690	10630	10580	10520	10460	10460	10580	10580					
	16-20°		9830	9830	9780	9730	9680	9680	9620	9680	9730	9730				
	26-30°		8770	8770	8720	8680	8630	8630	8580	8630	8680	8680				
	36-44°		7480	7480	7440	7410	7360	7360	7320	7360	7410	7410				
	Boom Angle °		15	31	40	46	50	54	57	60	62	64				
6 Meter Radius	0-10°			8660	8660	8660	8660	8610	8550	8550	8660	8780	8780			
	16-20°			7970	7970	7970	7970	7920	7870	7870	7970	8080	8080			
	26-30°			7100	7100	7100	7100	7060	7010	7010	7100	7200	7200			
	36-44°			6060	6060	6060	6060	6030	5990	5990	6060	6150	6150			
	Boom Angle °			15	29	38	44	48	52	56	58	60	62			
7 Meter Radius	0-10°				7200	7200	7200	7090	6980	7030	7090	7200	7310			
	16-20°				6620	6620	6620	6520	6420	6470	6520	6620	6730			
	26-30°				5900	5900	5900	5810	5720	5760	5810	5900	5990			
	36-44°				5040	5040	5040	4960	4890	4920	4960	5040	5120			
	Boom Angle °				14	28	36	42	47	51	54	56	58			
8 Meter Radius	0-10°					5740	5740	5740	5740	5790	5850	5910	6020			
	16-20°					5280	5280	5280	5280	5330	5380	5440	5540			
	26-30°					4710	4710	4710	4710	4750	4800	4850	4940			
	36-44°					4020	4020	4020	4020	4050	4100	4140	4210			
	Boom Angle °					13	27	35	42	46	49	52	54			
10 Meter Radius	0-10°							4280	4280	4280	4390	4440	4500			
	16-20°							3940	3940	3940	4040	4080	4140			
	26-30°							3510	3510	3510	3600	3640	3690			
	36-44°							3000	3000	3000	3070	3110	3150			
	Boom Angle °							12	28	35	39	43	47			
12 Meter Radius	0-10°									3600	3600	3600	3660			
	16-20°									3310	3310	3310	3370			
	26-30°									2950	2950	2950	3000			
	36-44°									2520	2520	2520	2560			
	Boom Angle °									18	27	33	38			
14 Meter Radius	0-10°											2870	2930			
	16-20°											2640	2700			
	26-30°											2350	2400			
	36-44°											2010	2050			
	Boom Angle °											17	26			
15.9 Meter Radius	0-10°												2420			
	16-20°												2230			
	26-30°												1980			
	36-44°												1690			
	Boom Angle °												0			

- STABILITY AS PER EN13000:2010 (MOD) AND AS1418.5 2013 PART 4.1.2.6.1 STATIONARY 75% OF TIPPING LOAD WITH HOLD BRAKE APPLIED
- OPERATION OF THIS MACHINE WITH HEAVIER LOADS THAN THE CAPACITIES LISTED IS STRICTLY PROHIBITED. MACHINE TIPPING WITH BOOM EXTENSION OCCURS RAPIDLY AND WITHOUT ADVANCE WARNING
- LIFTING IS TO BE VERTICAL ONLY
- MASS OF SLINGS AND HOOK BLOCK TO BE ADDED TO LOAD
- DURING OPERATION, WIND SPEED MUST NOT EXCEED 36 KM/H (10 M/S)
- READ AND UNDERSTAND CRANE USER MANUALS BEFORE OPERATING
- BOOM ANGLE IS WITH RESPECT TO THE HORIZONTAL
- SPARE WHEEL NOT INCLUDED AS COUNTERWEIGHT

10/10/2022

# SUPERLIFT LOAD CHART 66%

+12% CAPACITY - PICK & CARRY

0 - 0.6° CRANE SIDE SLOPE: PC28 MOBILE CRANE: MAIN HOIST 2270kg plus 1100kg S.L COUNTERWEIGHT REAR													PICK AND CARRY	LMI DUTY 201-66		
	BOOM LENGTH (M)	6.12	7.00	8.00	9.00	10.00	11.00	12.00	13.00	14.45	15.50	16.50	17.50	18.64		
1m Radius	0-10°	25000	25000	25000												
	16-20°	23000	23000	23000												
	26-30°	20500	20500	20500												
	36-44°	17500	17500	17500												
	Boom Angle °	53	58	62												
1.5m Radius	0-10°	22100	22100	22100	22100											
	16-20°	20330	20330	20330	20330											
	26-30°	18120	18120	18120	18120											
	36-44°	15470	15470	15470	15470											
	Boom Angle °	47	53	58	62											
2m Radius	0-10°	20500	20500	20500	20500	20500										
	16-20°	18860	18860	18860	18860	18860										
	26-30°	16810	16810	16810	16810	16810										
	36-44°	14350	14350	14350	14350	14350										
	Boom Angle °	40	48	54	58	62										
2.5m Radius	0-10°	19000	19000	19000	19000	19000	19000									
	16-20°	17480	17480	17480	17480	17480	17480									
	26-30°	15580	15580	15580	15580	15580	15580									
	36-44°	13300	13300	13300	13300	13300	13300									
	Boom Angle °	32	42	49	55	59	62	64								
3m Radius	0-10°	17550	17350	17350	17350	17350	17350	16950	16750							
	16-20°	16150	15960	15960	15960	15960	15960	15590	15410							
	26-30°	14390	14230	14230	14230	14230	14230	13900	13740							
	36-44°	12290	12150	12150	12150	12150	12150	11870	11730							
	Boom Angle °	21	35	44	51	55	59	62	64							
3.5m Radius	0-10°		15600	15300	15100	14900	14700	14500	14300							
	16-20°		14350	14080	13890	13710	13520	13340	13160							
	26-30°		12790	12550	12380	12220	12050	11890	11730							
	36-44°		10920	10710	10570	10430	10290	10150	10010							
	Boom Angle °		27	39	46	52	56	59	61							
4m Radius	0-10°		13250	13000	13000	13000	13000	12900	12700	12600						
	16-20°		12190	11960	11960	11960	11960	11870	11680	11590						
	26-30°		10870	10660	10660	10660	10660	10580	10410	10330						
	36-44°		9280	9100	9100	9100	9100	9030	8890	8820						
	Boom Angle °		16	33	42	48	53	56	59	62						
4.5m Radius	0-10°			11650	11650	11650	11600	11550	11500	11500	11500					
	16-20°			10720	10720	10720	10670	10630	10580	10580	10580					
	26-30°			9550	9550	9550	9510	9470	9430	9430	9430					
	36-44°			8160	8160	8160	8120	8090	8050	8050	8050					
	Boom Angle °			25	37	44	49	53	56	60	62					
5m Radius	0-10°			10500	10500	10450	10400	10350	10350	10300	10350	10400	10400			
	16-20°			9660	9660	9610	9570	9520	9480	9520	9480	9520	9570			
	26-30°			8610	8610	8570	8530	8490	8450	8490	8450	8530	8530			
	36-44°			7350	7350	7320	7280	7250	7210	7250	7210	7280	7280			
	Boom Angle °			15	31	40	46	50	54	57	60	62	64			
6m Radius	0-10°				8500	8500	8500	8500	8450	8400	8400	8500	8600	8600		
	16-20°				7820	7820	7820	7820	7770	7730	7730	7820	7910	7910		
	26-30°				6970	6970	6970	6970	6930	6890	6890	6970	7050	7050		
	36-44°				5950	5950	5950	5950	5920	5880	5880	5950	6020	6020		
	Boom Angle °				15	29	38	44	48	52	56	58	60	62		
7m Radius	0-10°					7100	7100	7100	7000	6900	6950	7000	7100	7200		
	16-20°					6530	6530	6530	6440	6350	6390	6440	6530	6620		
	26-30°					5820	5820	5820	5740	5660	5700	5740	5820	5900		
	36-44°					4970	4970	4970	4900	4830	4870	4900	4970	5040		
	Boom Angle °					14	28	36	42	47	51	54	56	58		
8m Radius	0-10°						5700	5700	5700	5700	5750	5800	5850	5900		
	16-20°						5240	5240	5240	5240	5290	5340	5380	5430		
	26-30°						4670	4670	4670	4670	4720	4760	4800	4840		
	36-44°						3990	3990	3990	3990	4030	4060	4100	4130		
	Boom Angle °						13	27	35	42	46	49	52	54		
10m Radius	0-10°								4200	4200	4200	4300	4350	4400		
	16-20°								3860	3860	3860	3960	4000	4050		
	26-30°								3440	3440	3440	3530	3570	3610		
	36-44°								2940	2940	2940	3010	3050	3080		
	Boom Angle °								12	28	35	39	43	47		
12m Radius	0-10°										3500	3500	3500	3550		
	16-20°										3220	3220	3220	3270		
	26-30°										2870	2870	2870	2910		
	36-44°										2450	2450	2450	2490		
	Boom Angle °										18	27	33	38		
14m Radius	0-10°												2850	2900		
	16-20°												2620	2670		
	26-30°												2340	2380		
	36-44°												2000	2030		
	Boom Angle °												17	26		
15.5m Radius	0-10°													2450		
	16-20°													2250		
	26-30°													2010		
	36-44°													1720		
	Boom Angle °													0		

Boom Length (M)
Rated Capacity (kg) for 0°-10° Articulation
Rated Capacity (kg) for 16°-20° Articulation
Rated Capacity (kg) for 26°-30° Articulation
Rated Capacity (kg) for 36°-44° Articulation

- STABILITY AS PER EN13000:2010 (MOD) AND AS1418.5 2013 PART 4.1.2.6.1 PICK AND CARRY 66.6% OF TIPPING LOAD
- OPERATION OF THIS MACHINE WITH HEAVIER LOADS THAN THE CAPACITIES LISTED IS STRICTLY PROHIBITED. MACHINE TIPPING WITH BOOM EXTENSION OCCURS RAPIDLY AND WITHOUT ADVANCE WARNING
- LIFTING IS TO BE VERTICAL ONLY
- MASS OF SLINGS AND HOOK BLOCK TO BE ADDED TO LOAD
- DURING OPERATION, WIND SPEED MUST NOT EXCEED 36 KM/H (10 M/S)
- READ AND UNDERSTAND CRANE USER MANUALS BEFORE OPERATING
- BOOM ANGLE IS WITH RESPECT TO THE HORIZONTAL
- SPARE WHEEL NOT INCLUDED AS COUNTERWEIGHT

10/10/2022

# SUPERLIFT LOAD CHART 75%

+12% CAPACITY - STATIONARY

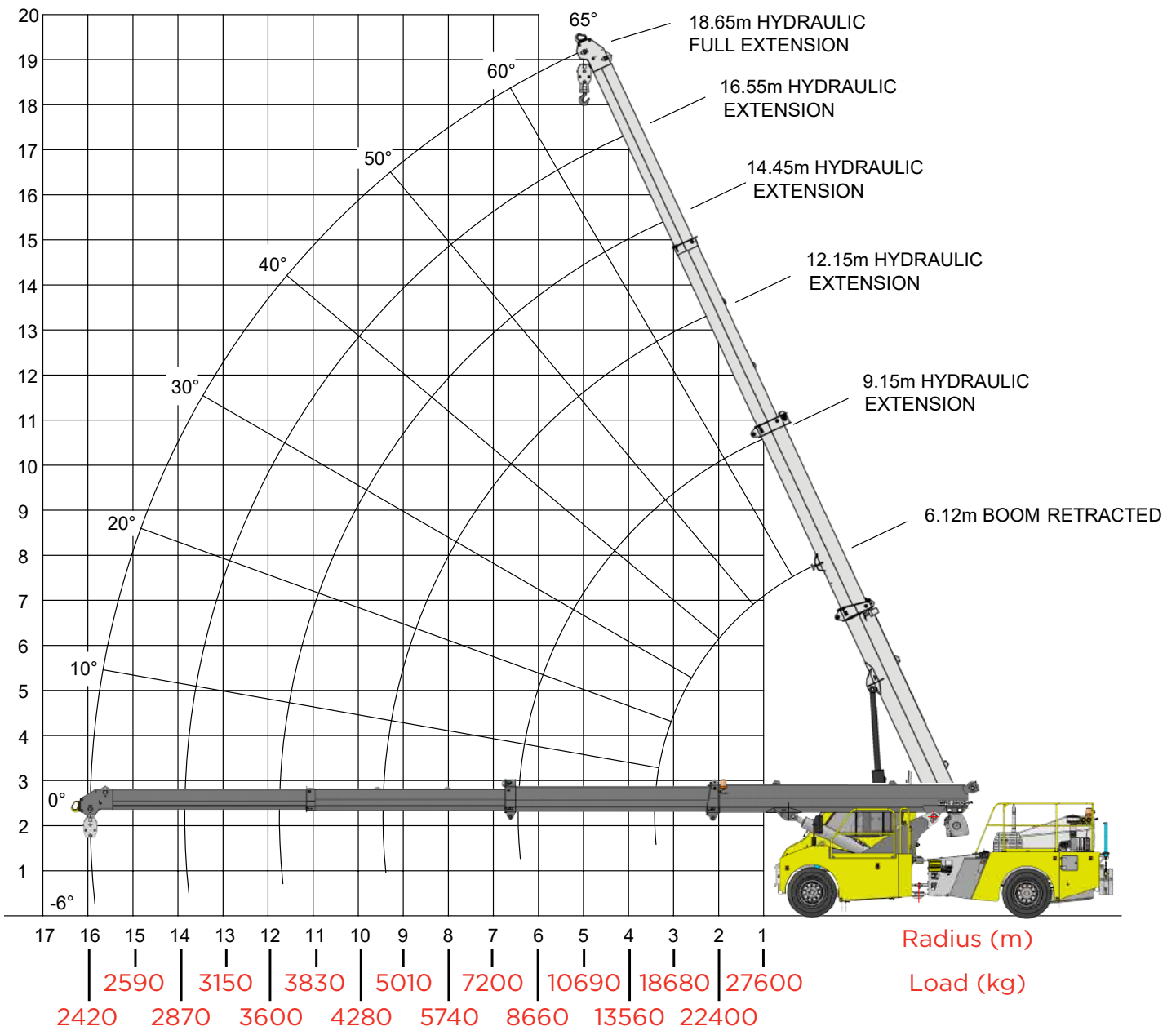
0 - 0.6° CRANE SIDE SLOPE: PC28 MOBILE CRANE: MAIN HOIST 2270kg plus 1100kg S.L COUNTERWEIGHT REAR														STATIONARY	LMI DUTY 201-75	
BOOM LENGTH (M)		6.12	7.00	8.00	9.00	10.00	11.00	12.00	13.00	14.45	15.50	16.50	17.50	18.64		
1m Radius	0-10°	28000	28000	28000												
	16-20°	25760	25760	25760												
	26-30°	22960	22960	22960												
	36-44°	19600	19600	19600												
	Boom Angle °	53	58	62												
1.5m Radius	0-10°	24860	24860	24860	24860											
	16-20°	22870	22870	22870	22870											
	26-30°	20390	20390	20390	20390											
	36-44°	17400	17400	17400	17400											
	Boom Angle °	47	53	58	62											
2m Radius	0-10°	23060	23060	23060	23060	23060										
	16-20°	21220	21220	21220	21220	21220										
	26-30°	18910	18910	18910	18910	18910										
	36-44°	16140	16140	16140	16140	16140										
	Boom Angle °	40	48	54	58	62										
2.5m Radius	0-10°	21370	21370	21370	21370	21370	21370									
	16-20°	19660	19660	19660	19660	19660	19660									
	26-30°	17520	17520	17520	17520	17520	17520									
	36-44°	14960	14960	14960	14960	14960	14960									
	Boom Angle °	32	42	49	55	59	62	64								
3m Radius	0-10°	19740	19520	19520	19520	19520	19520	19070	18840							
	16-20°	18160	17960	17960	17960	17960	17960	17540	17330							
	26-30°	16190	16010	16010	16010	16010	16010	15640	15450							
	36-44°	13820	13660	13660	13660	13660	13660	13350	13190							
	Boom Angle °	21	35	44	51	55	59	62	64							
3.5m Radius	0-10°		17550	17210	16990	16760	16540	16310	16090							
	16-20°		16150	15830	15630	15420	15220	15010	14800							
	26-30°		14390	14110	13930	13740	13560	13370	13190							
	36-44°		12290	12050	11890	11730	11580	11420	11260							
	Boom Angle °		27	39	46	52	56	59	61							
4m Radius	0-10°		14910	14630	14630	14630	14630	14510	14290	14180						
	16-20°		13720	13460	13460	13460	13460	13350	13150	13050						
	26-30°		12230	12000	12000	12000	12000	11900	11720	11630						
	36-44°		10440	10240	10240	10240	10240	10160	10000	9930						
	Boom Angle °		16	33	42	48	53	56	59	62						
4.5m Radius	0-10°			13110	13110	13110	13050	12990	12940	12940	12940					
	16-20°			12060	12060	12060	12010	11950	11900	11900	11900					
	26-30°			10750	10750	10750	10700	10650	10610	10610	10610					
	36-44°			9180	9180	9180	9140	9090	9060	9060	9060					
	Boom Angle °			25	37	44	49	53	56	60	62					
5m Radius	0-10°			11810	11810	11760	11700	11640	11590	11640	11700	11700				
	16-20°			10870	10870	10820	10760	10710	10660	10710	10760	10760				
	26-30°			9680	9680	9640	9590	9540	9500	9540	9590	9590				
	36-44°			8270	8270	8230	8190	8150	8150	8110	8150	8190	8190			
	Boom Angle °			15	31	40	46	50	54	57	60	62	64			
6m Radius	0-10°				9560	9560	9560	9560	9510	9450	9450	9560	9680	9680		
	16-20°				8800	8800	8800	8800	8750	8690	8690	8800	8910	8910		
	26-30°				7840	7840	7840	7840	7800	7750	7750	7840	7940	7940		
	36-44°				6690	6690	6690	6690	6660	6620	6620	6690	6780	6780		
	Boom Angle °				15	29	38	44	48	52	56	58	60	62		
7m Radius	0-10°					7990	7990	7990	7880	7760	7820	7880	7990	8100		
	16-20°					7350	7350	7350	7250	7140	7190	7250	7350	7450		
	26-30°					6550	6550	6550	6460	6360	6410	6460	6550	6640		
	36-44°					5590	5590	5590	5520	5430	5470	5520	5590	5670		
	Boom Angle °					14	28	36	42	47	51	54	56	58		
8m Radius	0-10°						6410	6410	6410	6410	6470	6530	6580	6640		
	16-20°						5900	5900	5900	5900	5950	6010	6050	6110		
	26-30°						5260	5260	5260	5260	5310	5350	5400	5440		
	36-44°						4490	4490	4490	4490	4530	4570	4610	4650		
	Boom Angle °						13	27	35	42	46	49	52	54		
10m Radius	0-10°							4730	4730	4730	4840	4890	4950			
	16-20°							4350	4350	4350	4450	4500	4550			
	26-30°							3880	3880	3880	3970	4010	4060			
	36-44°							3310	3310	3310	3390	3420	3470			
	Boom Angle °							12	28	35	39	43	47			
12m Radius	0-10°										3940	3940	3940	3990		
	16-20°										3620	3620	3620	3670		
	26-30°										3230	3230	3230	3270		
	36-44°										2760	2760	2760	2790		
	Boom Angle °										18	27	33	38		
14m Radius	0-10°												3210	3260		
	16-20°												2950	3000		
	26-30°												2630	2670		
	36-44°												2250	2280		
	Boom Angle °												17	26		
15.5m Radius	0-10°													2760		
	16-20°													2540		
	26-30°													2260		
	36-44°													1930		
	Boom Angle °													0		

STATIONARY	LMI DUTY 201-75
Boom Length (M)	
Rated Capacity (kg) for 0°-10° Articulation	
Rated Capacity (kg) for 16°-20° Articulation	
Rated Capacity (kg) for 26°-30° Articulation	
Rated Capacity (kg) for 36°-44° Articulation	

- STABILITY AS PER EN13000:2010 (MOD) AND AS1418.5 2013 PART 4.1.2.6.1 STATIONARY 75% OF TIPPING LOAD WITH HOLD BRAKE APPLIED
- OPERATION OF THIS MACHINE WITH HEAVIER LOADS THAN THE CAPACITIES LISTED IS STRICTLY PROHIBITED. MACHINE TIPPING WITH BOOM EXTENSION OCCURS RAPIDLY AND WITHOUT ADVANCE WARNING
- MASS OF SLINGS AND HOOK BLOCK TO BE ADDED TO LOAD
- DURING OPERATION, WIND SPEED MUST NOT EXCEED 36 KM/H (10 M/S)
- READ AND UNDERSTAND CRANE USER MANUALS BEFORE OPERATING
- BOOM ANGLE IS WITH RESPECT TO THE HORIZONTAL
- SPARE WHEEL NOT INCLUDED AS COUNTERWEIGHT

10/10/2022

# WORKING RANGE WITH COUNTERWEIGHT ON REAR



NOTE: Rated capacity values shown are for the stationary chart on the hook.

## AFTER SALES SUPPORT

TRT is proud to manufacture the TIDD PC28-3G, and we are committed to supporting our product for its warranty and beyond. The team of highly experienced TIDD service technicians and agents are available to assist operators, fleet owners and workshops with training, advice, documentation and product upgrades.

## PARTS

TRT stocks genuine spare parts for the TIDD PC28-3G in Australia and New Zealand. We can easily arrange overnight freight for all spares and service items to ensure the Crane is returned to service with minimal downtime.

TRT reserves the right to alter specifications without notice. Photographs and drawings in this document are for illustrative purposes only. Product shown in photos contains optional features. TRT in so far as it is permitted by law to do so, shall not be liable in any way as a result of any reliance by any person on anything contained in this brochure.

Please contact us for current and detailed specifications. TRT (Aust) Pty Ltd & TRT (2021) Pty Ltd / Tidd Ross Todd Ltd is the manufacturer of the TIDD PC28-3G.

26.3.2024



TIDD PC28-3G

**TRT Australia**  
1028 Lytton Road, Murarrie, QLD 4172  
Phone: +61 7 3890 8800  
Email: [cranesales@trtaust.com.au](mailto:cranesales@trtaust.com.au)  
[www.trtaustralia.com.au](http://www.trtaustralia.com.au)

**TRT New Zealand**  
48 Maui Street, Pukete  
P.O. Box 10076, Te Rapa, Hamilton 3241  
Phone: +64 7 849 4839 Email: [cranesales@trt.co.nz](mailto:cranesales@trt.co.nz)  
[www.trt.co.nz](http://www.trt.co.nz)

**TRT**  
DESIGNED &  
MANUFACTURED

**TIDD**  
**CRANE III**

**TRT**  
DESIGNED &  
MANUFACTURED