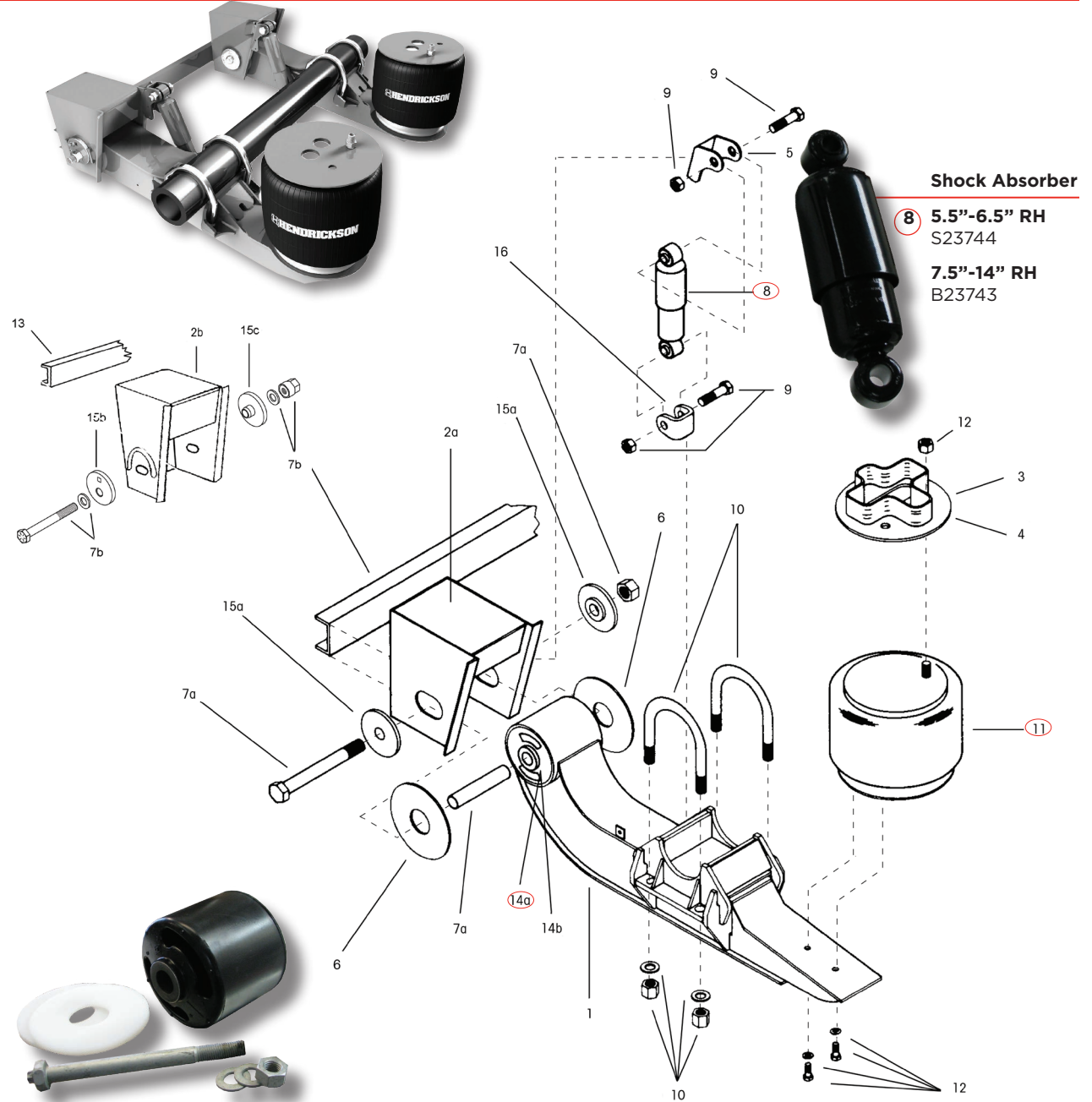


TRT MADE POSSIBLE

AIR SUSPENSION

HT250 UNDERSLUNG AIR SUSPENSION

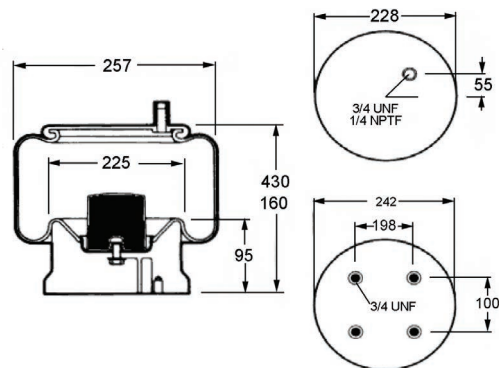


Shock Absorber

- 8 5.5"-6.5" RH S23744
- 7.5"-14" RH B23743

14a Tri Functional Bush Quick Align S31624

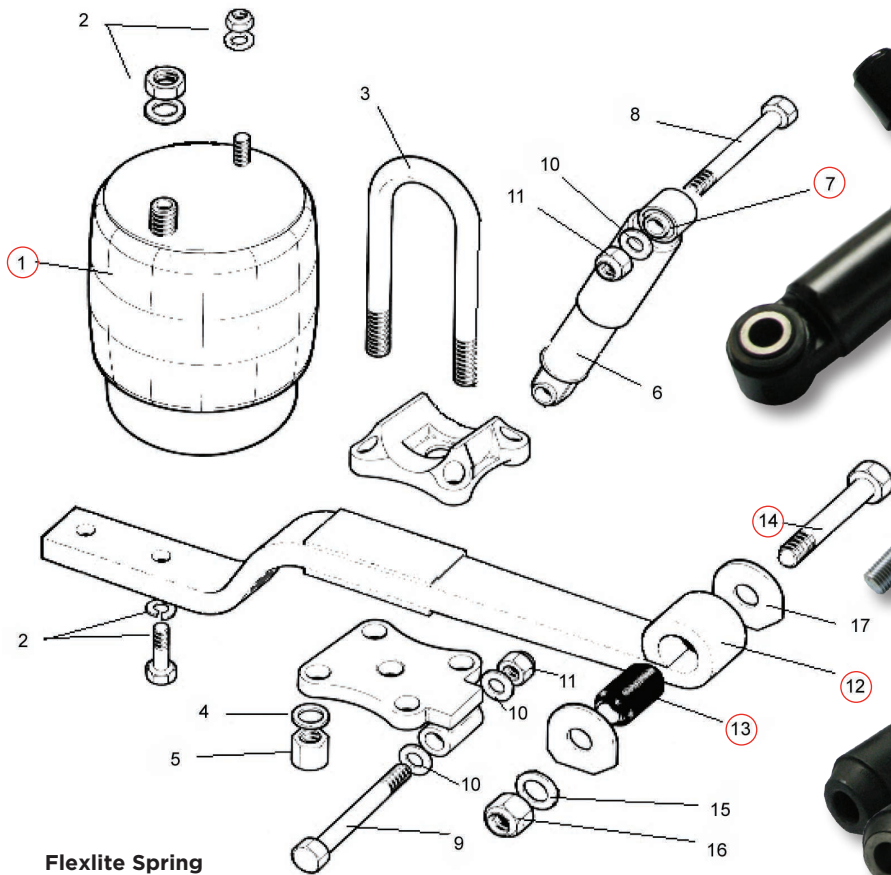
AIR SPRING



Air Spring

- 11 7.5"-14" RH S20124
- 5.5"-14" RH S20127

ROR FLEXAIR



Flexlite Spring

- 12 75-80mm wide 24mm bolt
100mm wide 24mm or 30mm bolt

Shock Absorbers

- 7 Flexair 9000
21225104
- Flexair 1100
21224745

Pivot Bolt

- 14 M24 x 195
21223928
- M30 x 200
21222234

Pivot Bush

- 13 M24 x 100
21224663
- M24 x 80
21225103
- M30 x 100
21222609

AIR SPRING OPTIONS INCLUDE:

Air Spring

- 1 Flexair 9000
21222442
- Flexair 11000
21222239

