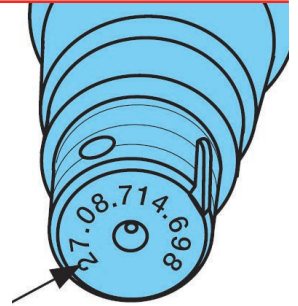


BPW AXLE IDENTIFICATION

BPW Original spare parts, Series H/R; KH/KR; NH/NR

Glued Type plate from year of manufacturer 2000



BPW Axle Number punched into the end of the axle stub.

Riveted Type Plate up to year of manufacturer 1999

Axle Type BPW Code No.



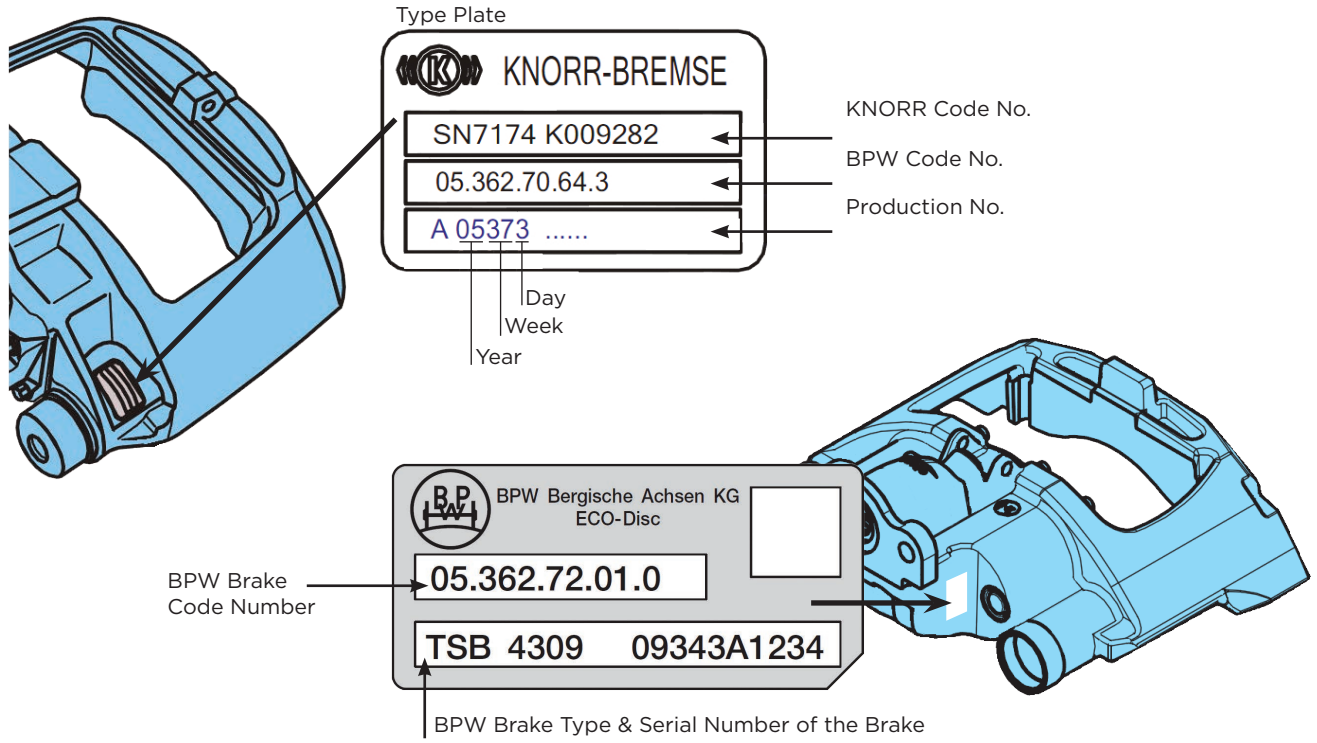
Date and Serial No.

Brake Type

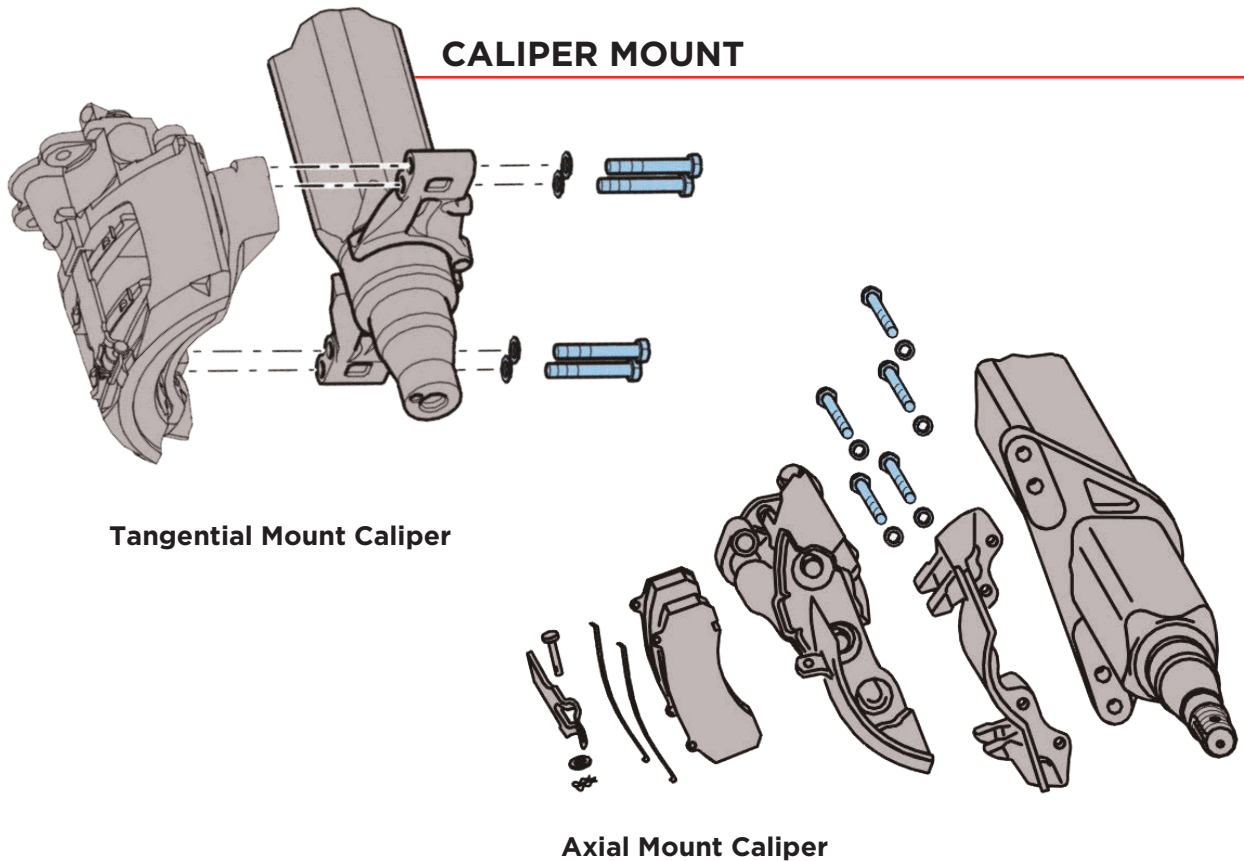
Certificate TypeTest Report No. Stat. = Max static axle load on ground
Tech. = "permissible techn. axle load"
= Test load of wheel brakes



BPW AXLE IDENTIFICATION



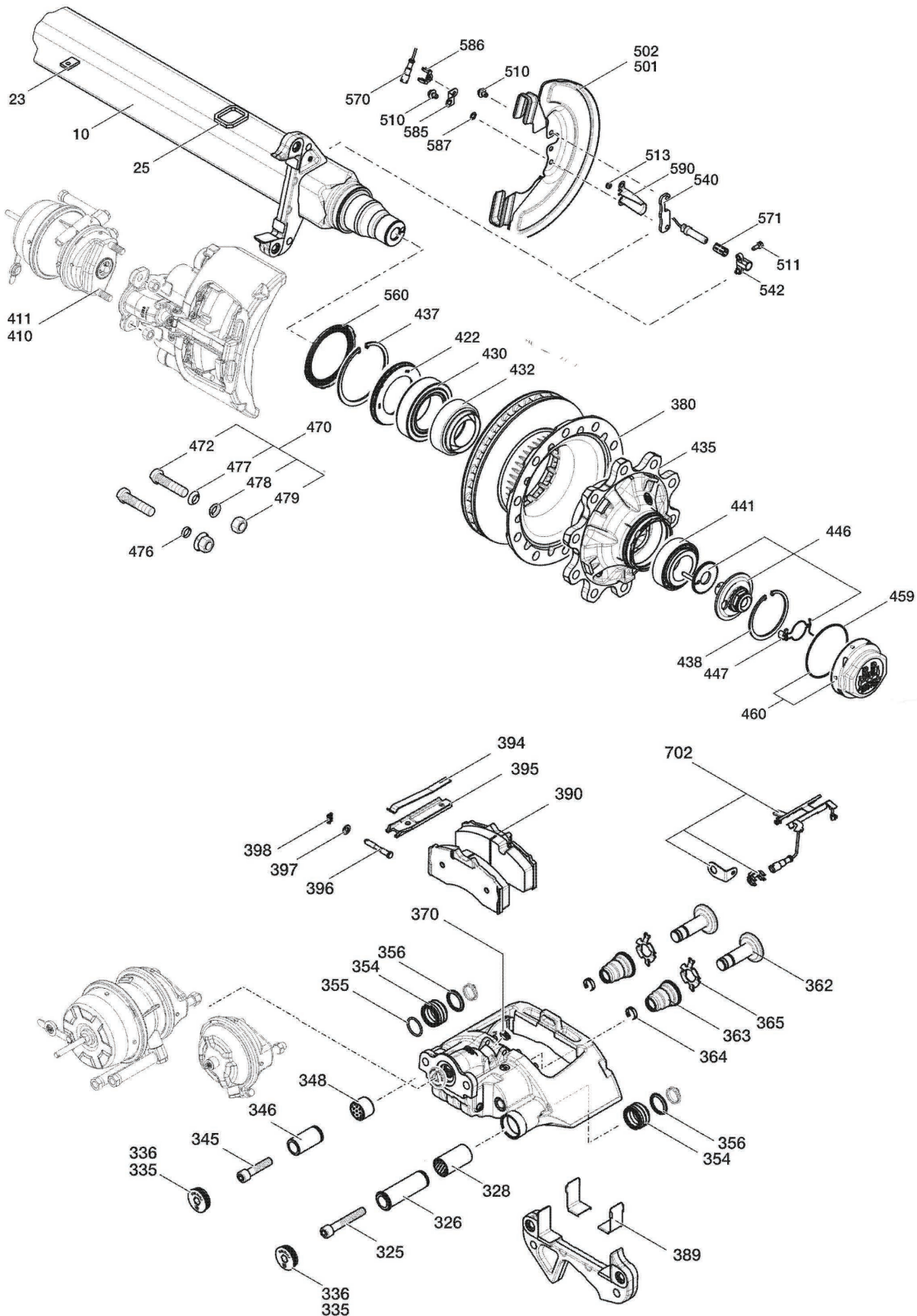
CALIPER MOUNT



TRT MADE POSSIBLE

BPW TRAILER AXLE

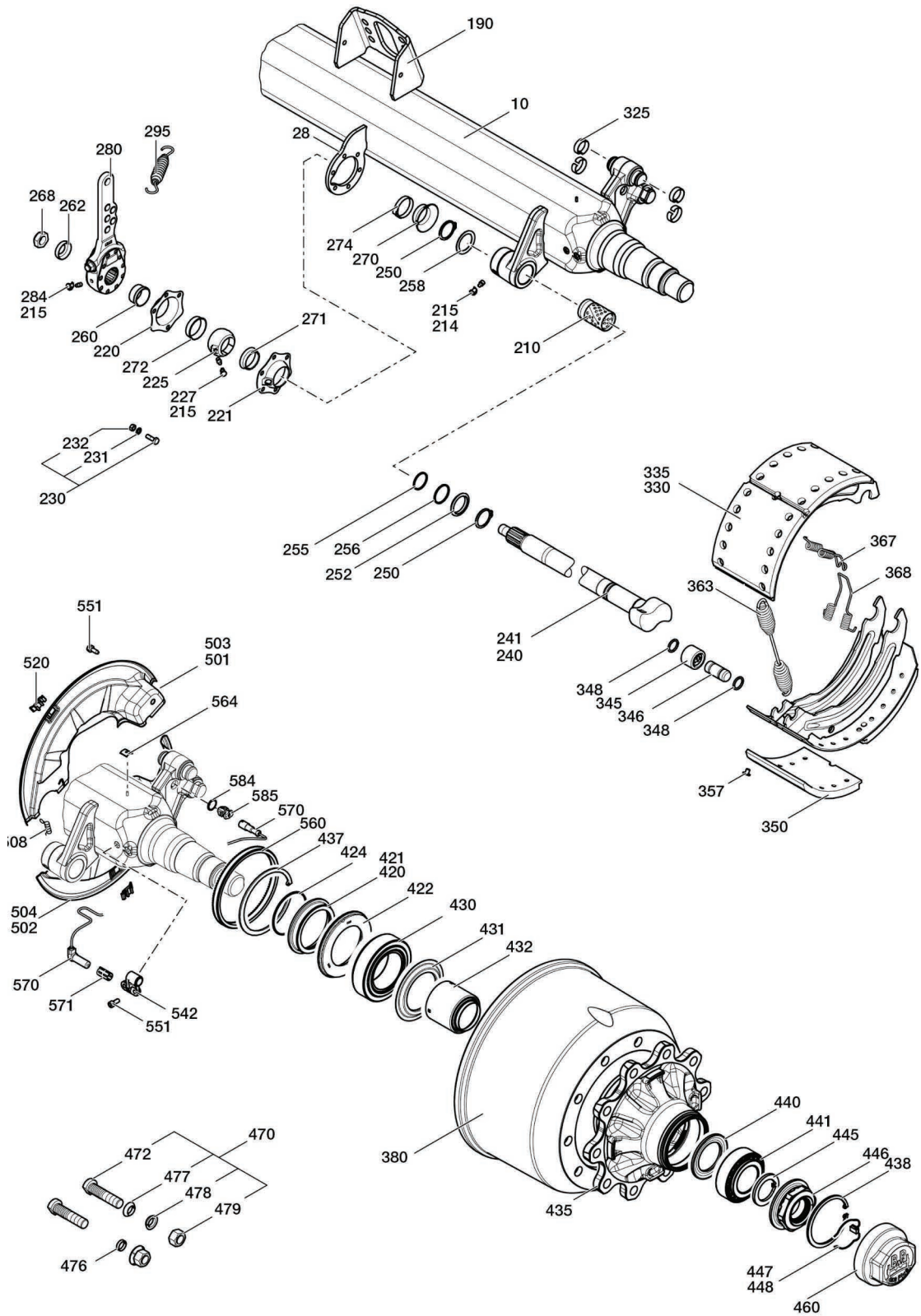
BPW SKHZF 9008-15 ECO PLUS 2



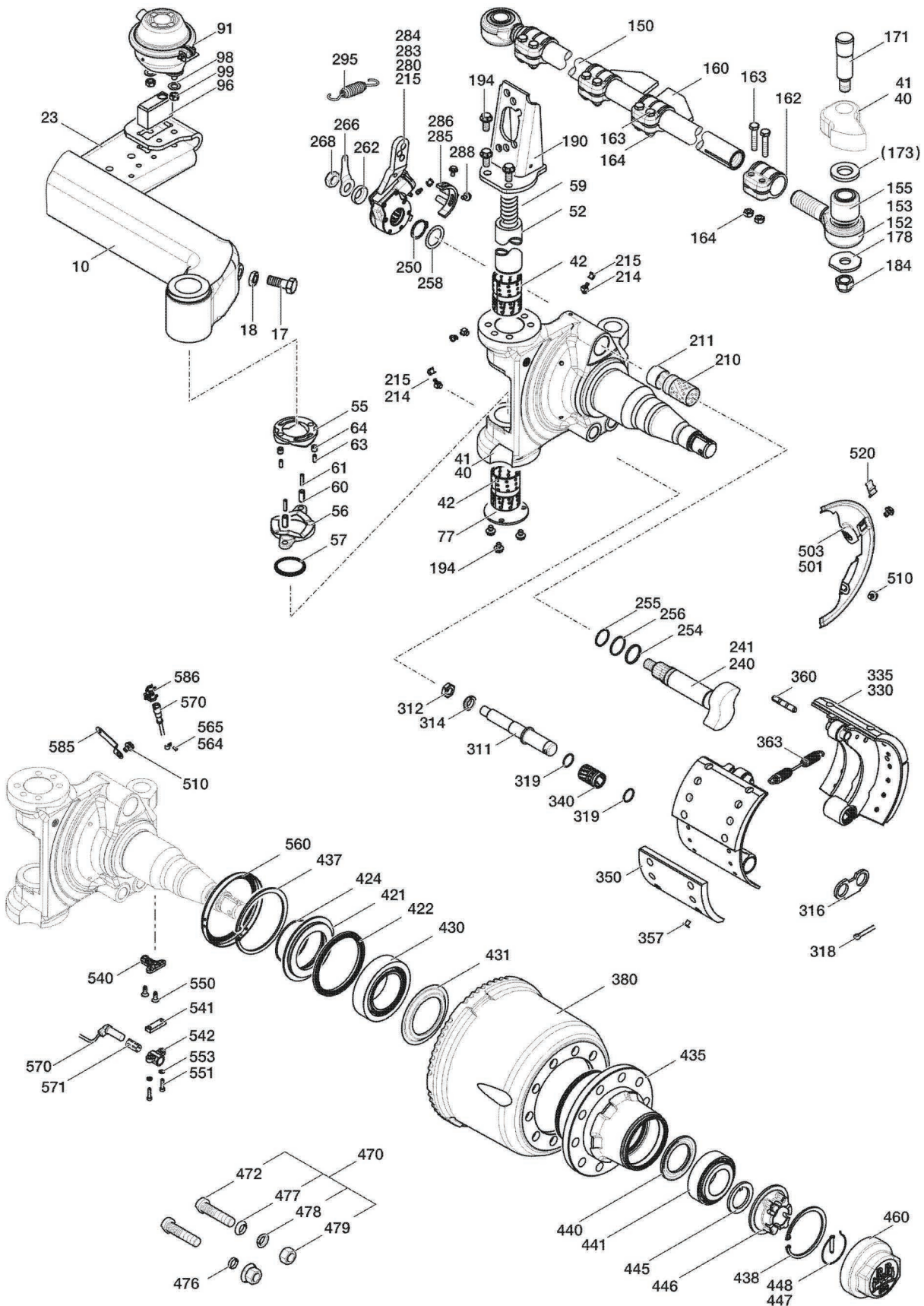
TRT MADE POSSIBLE

BPW TRAILER AXLE

BPW DRUM AXLE ECO PLUS



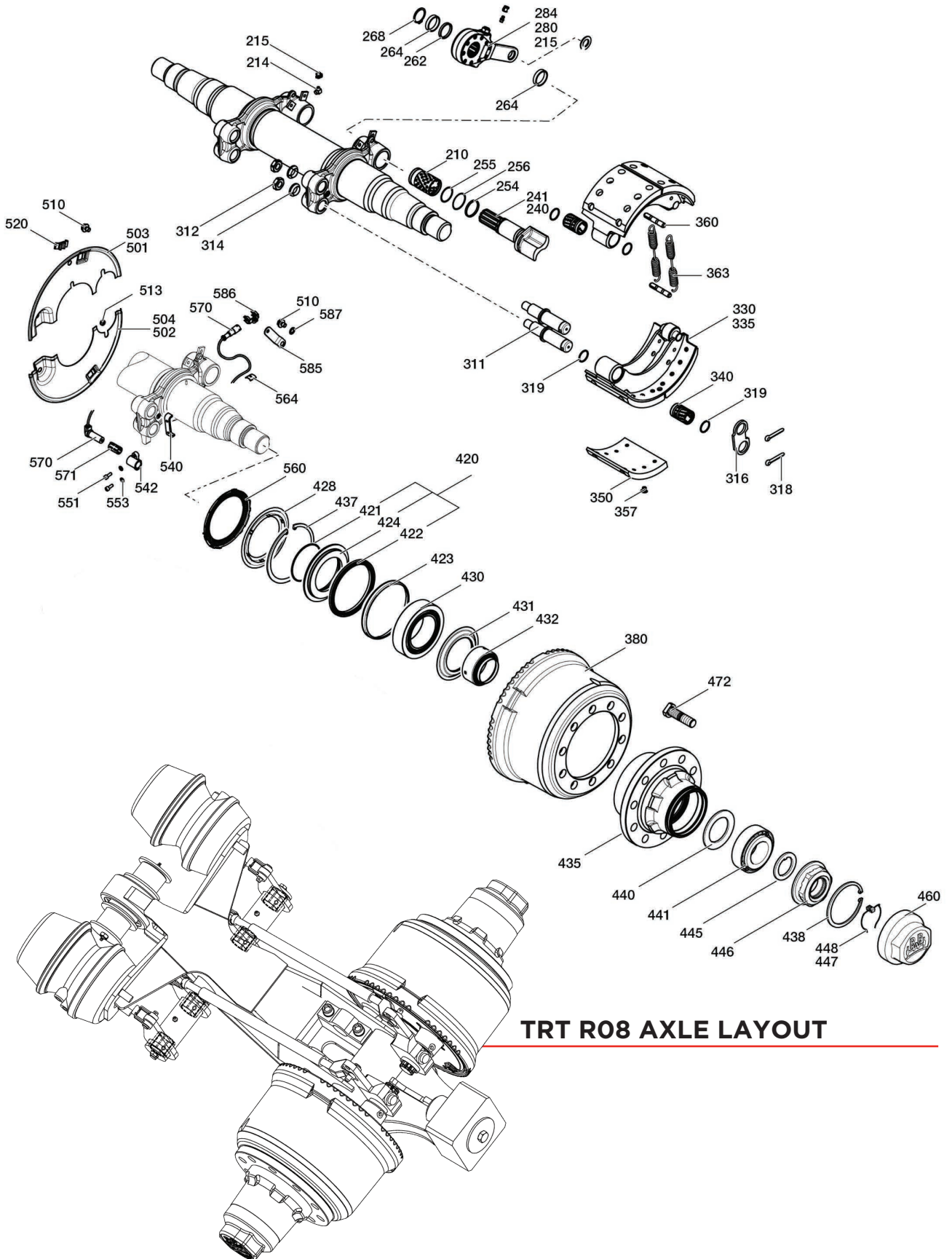
BPW STEERING AXLE ECO MAXX



TRT MADE POSSIBLE

BPW TRAILER AXLE

BPW AXLE TRT R08 SPEC



TRT R08 AXLE LAYOUT

