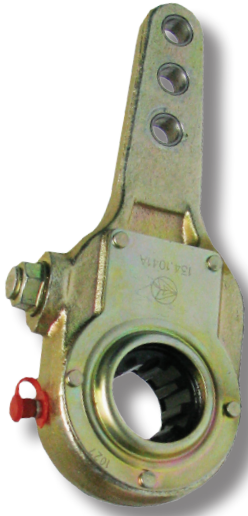


MANUAL SLACK ADJUSTERS



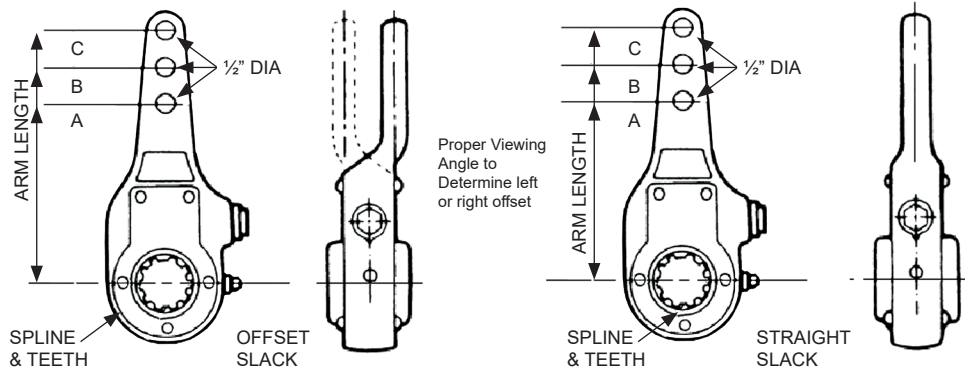
Application	Std Part No.	3/4 Adj Nut	Arm Lengths - A B C	D Spline Teeth
Universal Straight Std Trailer	KN47001	BR120019	5" 6" 7"	1-1/2" - 10 Spl
Universal Straight Std (4 Hole)	18048		5" 6" 7" 8"	1-1/2" - 10 Spl
Universal Truck Drive Straight	KN47011	BR120020	5-1/2" 6-1/2"	1-1/2" - 10 Spl
Cranked Low Loader	1296		6"	1-1/2" - 10 Spl
Left Hand Offset 5/8"	KN50060		4" 5" 6"	1-1/2" - 10 Spl
Right Hand Offset 5/8"	KN50070		4" 5" 6"	1-1/2" - 10 Spl
BPW H, R, KH, KR 4 HOLE	0517452610		150, 180, 220, 250mm	1-1/2" - 10 Spl
Universal Truck Drive	KN44061	BR220219	5-1/2" 6-1/2"	1-1/2" 28 Spl
Universal Straight Std Trailer	KN44051	BR210219	5 " 6"	1-1/2" 28 Spl
Propar Trailer	KN44041		6"	1-5/8" 37 Spl

Left Offset

Right Offset



Offset



TIP

If your Slack Adjuster is not shown above, measure it as per the key dimensions shown above. We will also need the application details. Not sure what Auto slack you have? The numbers stamped and cast into the body will help us ID it for you.



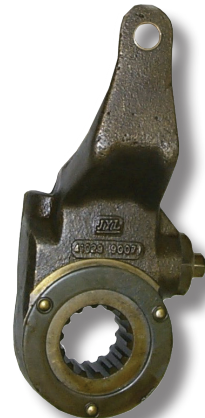
BPW



ROR



Low Loader



Jap