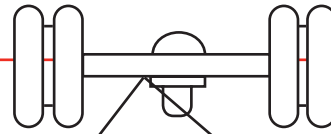
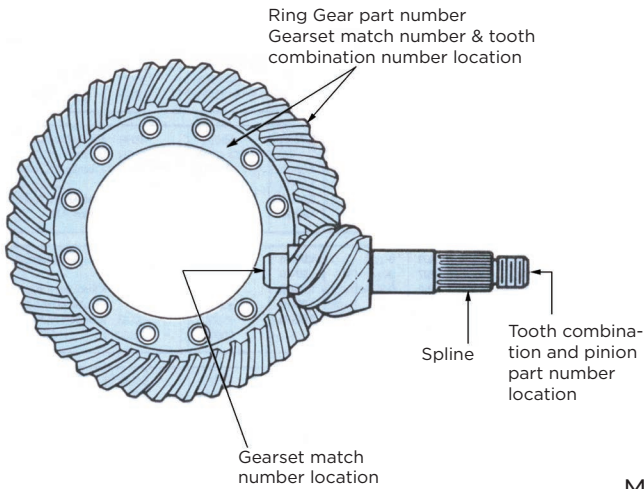
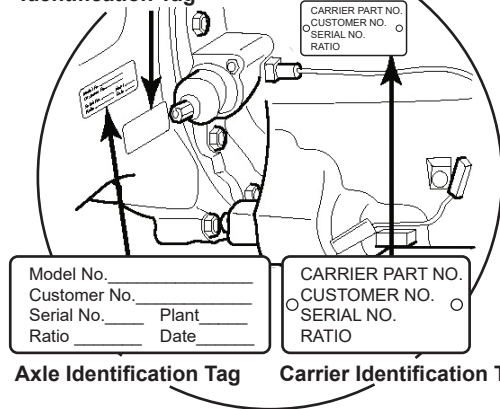


IDENTIFICATION

MERITOR

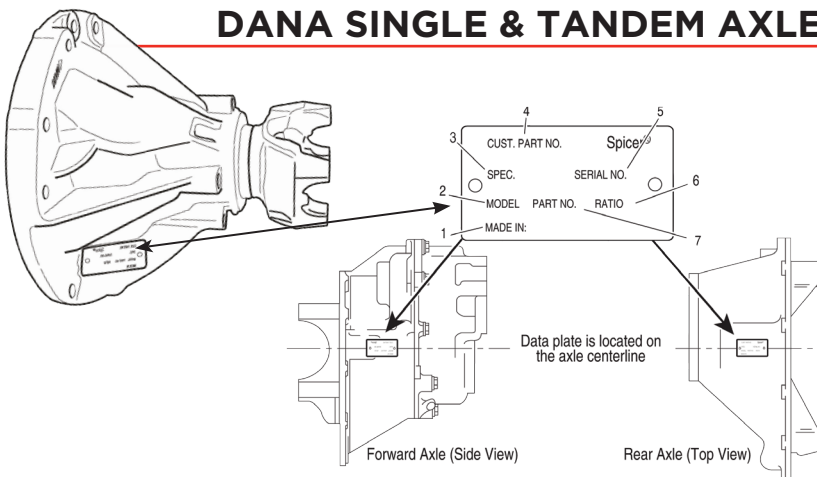


Axle Housing Identification Tag



Meritor drive axles can be identified by 3 identification tags located on the main axle housing.

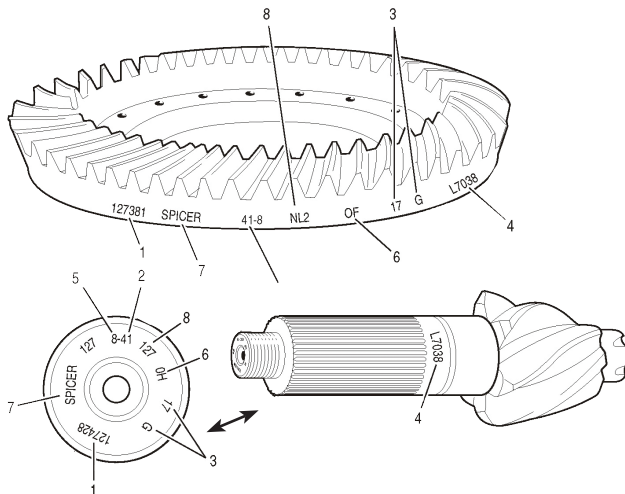
DANA SINGLE & TANDEM AXLE MODEL ID



Tag Details

1. Country of origin.
2. Axle model I.D.
3. Specification Number.
4. OEM Axle build number.
5. Carrier Assembly Serial No.
6. Axle gear ratio.
7. Carrier assy production or service part number.

DANA CROWN WHEEL GEAR & PINION ID



1. Part number.
2. Number of ring gear teeth.
3. Manufacturing numbers.
4. Matching gear set number.
5. Number of pinion teeth.
6. Date Code.
7. Genuine part number.
8. Heat code.