

TRT MADE POSSIBLE

NO SPILL

STANDARD DESIGN

PRECISION FIT

Made in over 500 sizes and thread patterns

STAINLESS STEEL SPRING

Compatible with all fluids



SINGLE BRIDGE

For faster flow and better removal of contaminants

OIL PAN THREADS

Machined full length for maximum strength and security

DRAINER

Simple thread-on connection. One size fits all Standard fittings

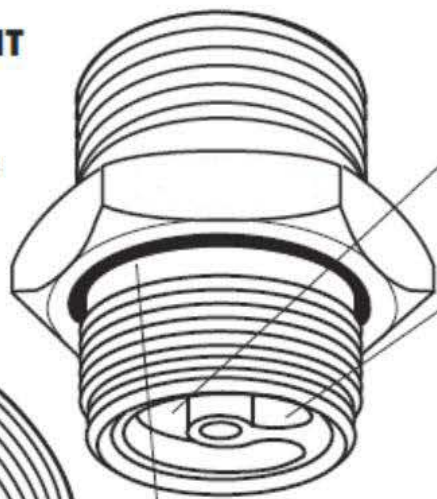
WORKS WITH GRAVITY OR SUCTION SYSTEMS

VITON O-RING

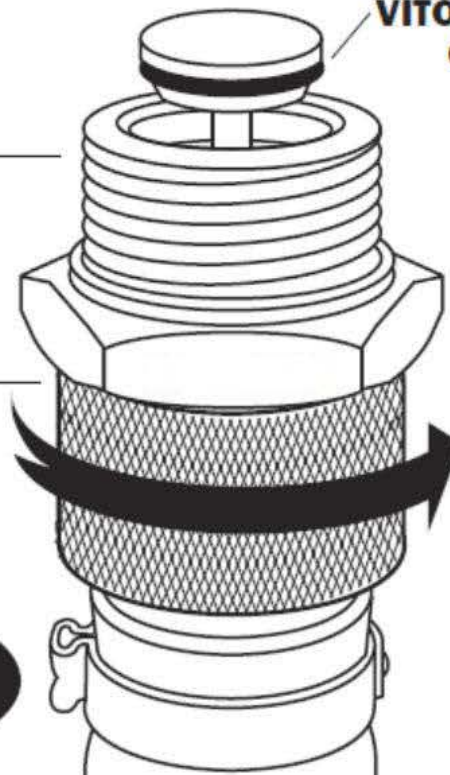
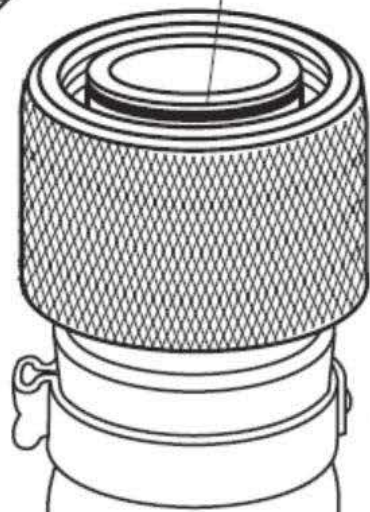
Compatible with all fluids



DUST CAP REMOVED



O-RING SEALS



Precision made Standard fittings are available in over 500 sizes and thread patterns.

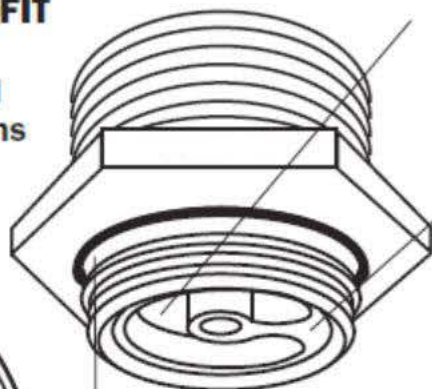
COMPACT DESIGN

PRECISION FIT
Made in over 500 sizes and thread patterns

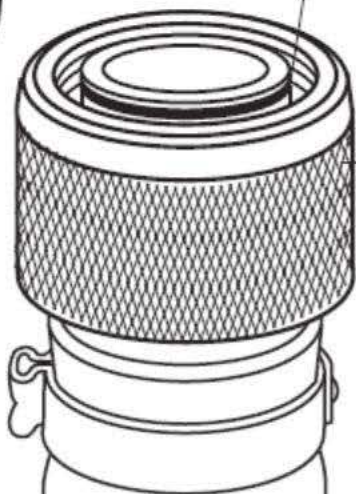


DUST CAP REMOVED

Precision made Compact fittings are available in over 500 sizes and thread patterns.



O-RING SEALS



STAINLESS STEEL SPRING
Compatible with all fluids

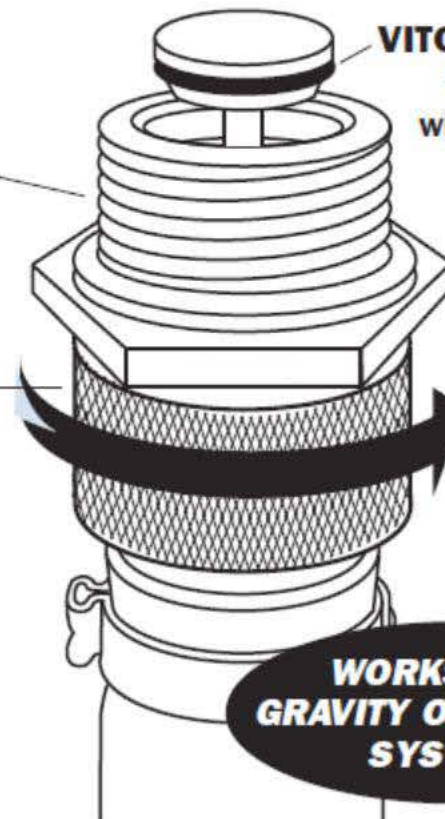
SINGLE BRIDGE
For faster flow and better removal of contaminants

OIL PAN THREADS
Machined full length for maximum strength and security

DRAINER
Simple thread-on connection. One size fits all Compact fittings

LOW PROFILE
Perfect for limited clearance and off-highway

COMPACT DESIGNTM
NO - SPILL SYSTEM



VITON O-RING
Compatible with all fluids

WORKS WITH GRAVITY OR SUCTION SYSTEMS

SPEED CLICK

Springhouse Inner core extends only to the thickest part of the hexagonal body for strongest construction

Oil Pan Threads
Machined the full length for maximum strength & security

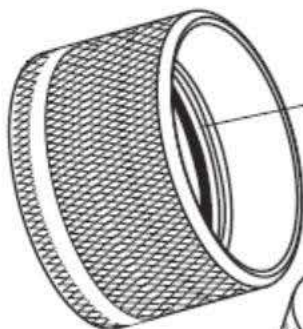


Viton O-Ring
Compatible with all fluids

Stainless Steel Spring
Compatible with all fluids

Single Bridge
Enhances the full bore internal design for maximum flow rates & maximum removal of contaminants

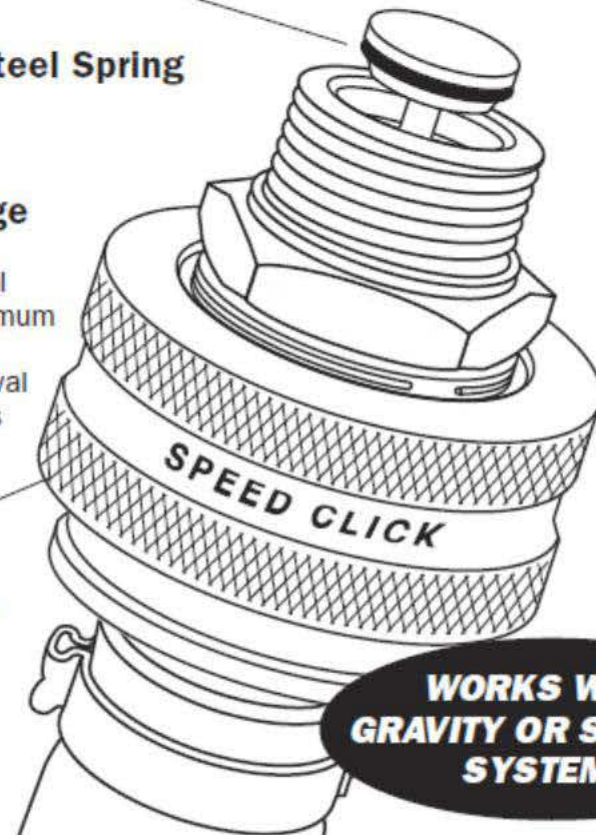
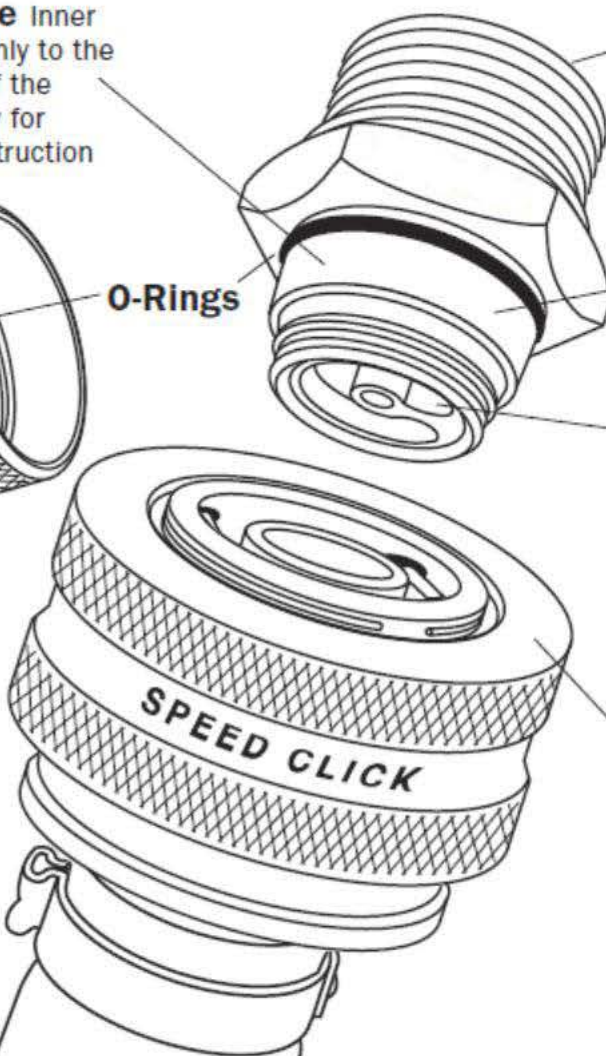
Standard Clicker Connection
One clicker fits all Speed Click fittings



Dust Cap Removed

O-Rings

Precision Fit SPEED CLICK FITTINGS are precision made in over 500 sizes and thread patterns



WORKS WITH GRAVITY OR SUCTION SYSTEMS