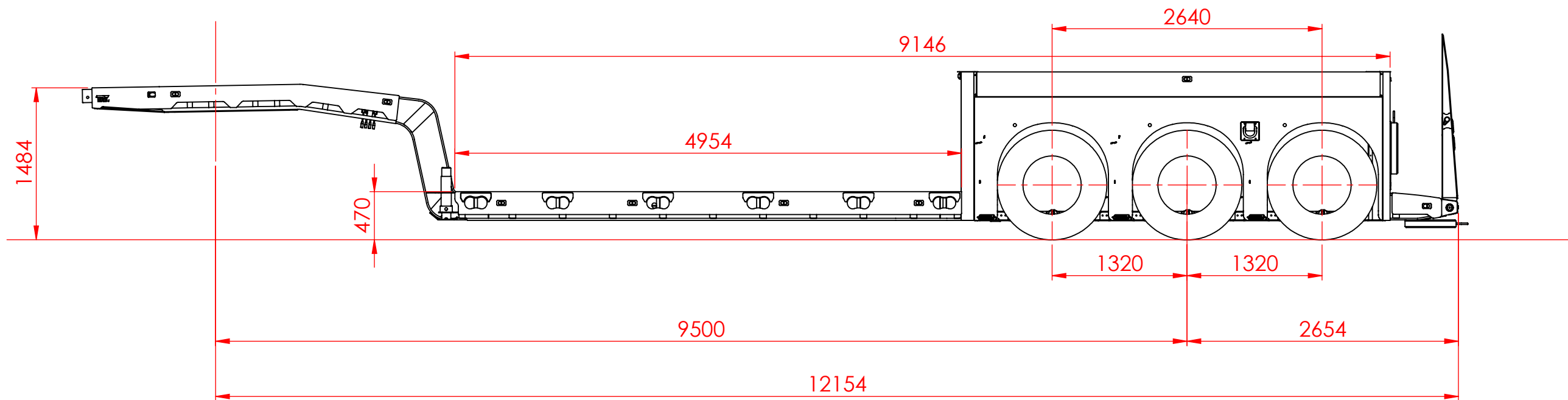
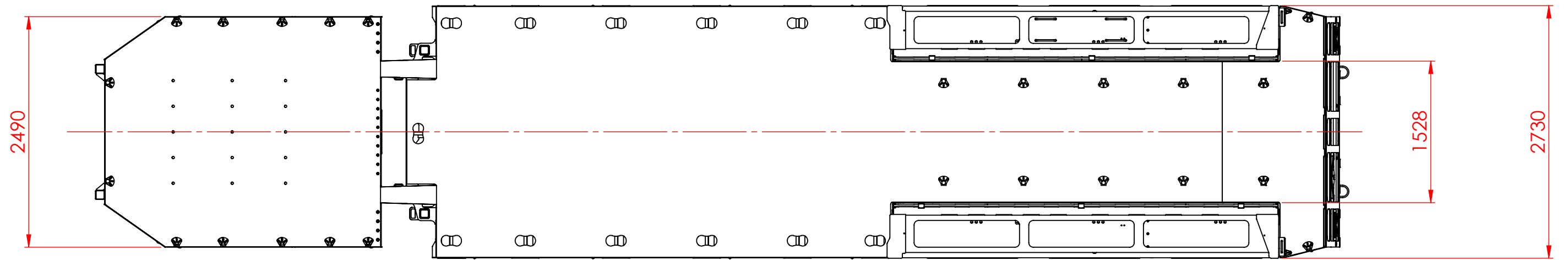


IF IN DOUBT PLEASE ASK



UNLESS OTHERWISE STATED

GENERAL TOLERANCES	0.00 = ±0.05 0.0 = ±0.2 0 = ±0.5	THIRD ANGLE PROJECTION
ANGLES	0 = ±0.5°	SURFACE FINISH (µm)

THIS DRAWING IS © COPYRIGHT AND IS THE PROPERTY OF TIDD ROSS TODD LTD. IT IS FURNISHED TO YOU FOR CONFIDENTIAL INFORMATION PURPOSES ONLY AND IS NOT TO BE DISCLOSED TO ANYONE ELSE OR USED FOR MANUFACTURING PURPOSES WITHOUT THE EXPRESS WRITTEN PERMISSION OF TIDD ROSS TODD LTD.

WELDING: ALL INFORMATION SHALL COMPLY WITH NZ/AS 1554:2000 PT 1 CATEGORY SP UNLESS OTHERWISE STATED AND SHALL BE WELDED TO A QUALIFIED PROCEDURE, BY A WELDER QUALIFIED FOR THE APPROPRIATE POSITION AND SUPERVISED BY A WELDING SUPERVISOR. WIRE BUFF ALL STEEL COMPONENTS PRIOR TO WELDING

REV	DATE	COMMENT	NAME



TIDD ROSS TODD LTD
 48 Maui Street, Hamilton,
 New Zealand
 Phone: +64 7 849 4839
 Email: trt@trt.co.nz
 Website: trt.co.nz
 ISO9001:2015

	NAME	TITLE:	DATE
DRAWN	BGB		8/02/22
CHK'D	-		-
APPV'D	-		-
DO NOT SCALE DRAWINGS IN mm's		STATUS - M	SCALE:1:45

Tri Axle Widening Forklift Trailer

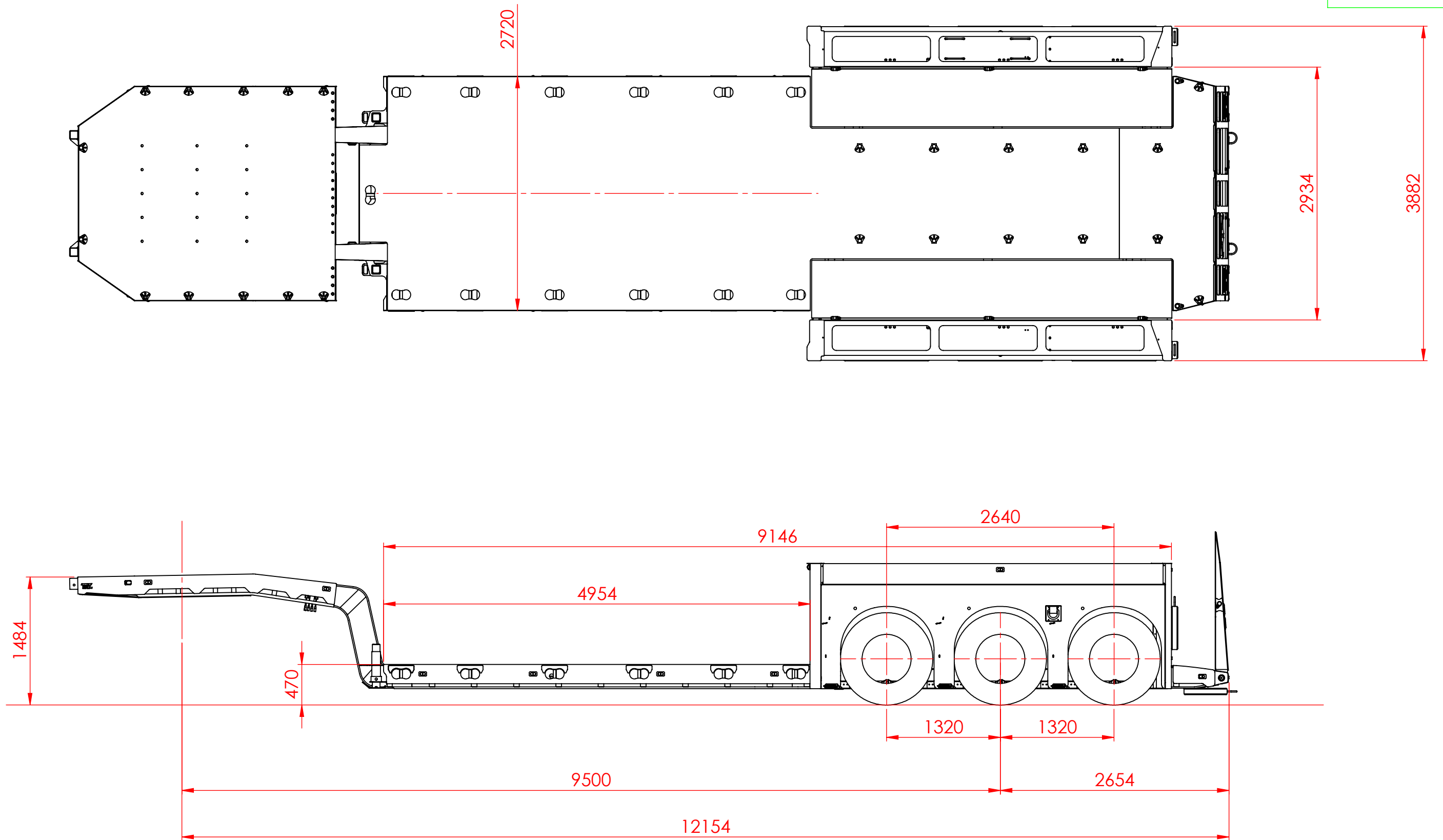
SHEET 1 OF 3

DWG NO.
428-001

REVISION

A

IF IN DOUBT PLEASE ASK



UNLESS OTHERWISE STATED

GENERAL TOLERANCES	0.00 = ±0.05 0.0 = ±0.2 0 = ±0.5	 THIRD ANGLE PROJECTION
ANGLES	0 = ±0.5°	

THIS DRAWING IS © COPYRIGHT AND IS THE PROPERTY OF TIDD ROSS TODD LTD. IT IS FURNISHED TO YOU FOR CONFIDENTIAL INFORMATION PURPOSES ONLY AND IS NOT TO BE DISCLOSED TO ANYONE ELSE OR USED FOR MANUFACTURING PURPOSES WITHOUT THE EXPRESS WRITTEN PERMISSION OF TIDD ROSS TODD LTD.

WELDING: ALL INFORMATION SHALL COMPLY WITH NZ/AS 1554:2000 PT 1 CATEGORY SP UNLESS OTHERWISE STATED AND SHALL BE WELDED TO A QUALIFIED PROCEDURE, BY A WELDER QUALIFIED FOR THE APPROPRIATE POSITION AND SUPERVISED BY A WELDING SUPERVISOR. WIRE BUFF ALL STEEL COMPONENTS PRIOR TO WELDING

REV	DATE	COMMENT	NAME



TIDD ROSS TODD LTD
 48 Maui Street, Hamilton,
 New Zealand
 Phone: +64 7 849 4839
 Email: trt@trt.co.nz
 Website: trt.co.nz
 ISO9001:2015

	NAME	TITLE:	DATE
DRAWN	BGB		8/02/22
CHK'D	-		-
APPV'D	-		-

Tri Axle Widening Forklift Trailer

SHEET 2 OF 3
 SCALE:1:45

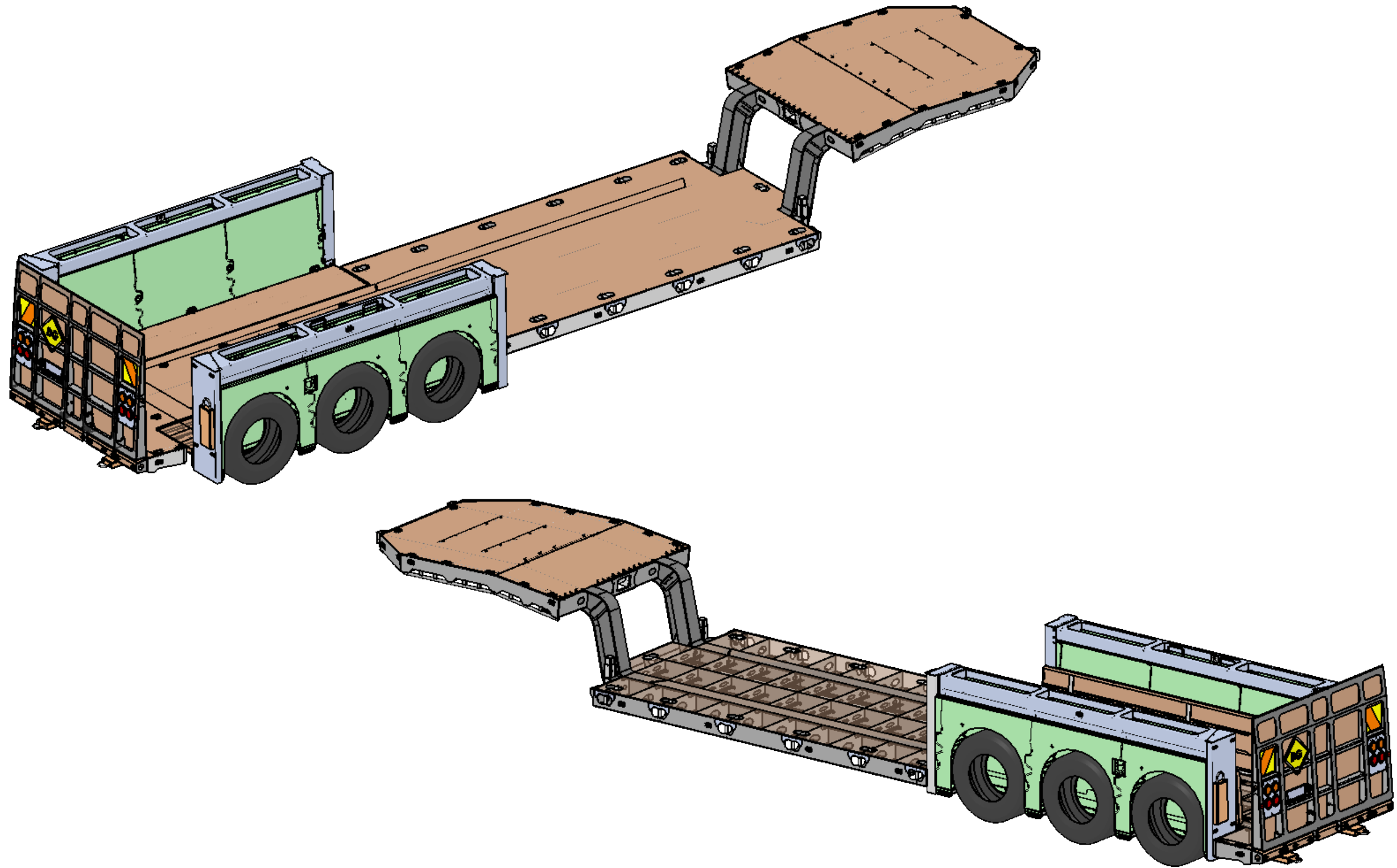
DWG NO.
 428-001

REVISION
 A

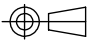
DO NOT SCALE DRAWINGS IN mm's

STATUS - M

IF IN DOUBT PLEASE ASK



UNLESS OTHERWISE STATED

GENERAL TOLERANCES	0.00 = ±0.05 0.0 = ±0.2 0 = ±0.5	 THIRD ANGLE PROJECTION
ANGLES	0 = ±0.5°	

THIS DRAWING IS © COPYRIGHT AND IS THE PROPERTY OF TIDD ROSS TODD LTD. IT IS FURNISHED TO YOU FOR CONFIDENTIAL INFORMATION PURPOSES ONLY AND IS NOT TO BE DISCLOSED TO ANYONE ELSE OR USED FOR MANUFACTURING PURPOSES WITHOUT THE EXPRESS WRITTEN PERMISSION OF TIDD ROSS TODD LTD.

WELDING: ALL INFORMATION SHALL COMPLY WITH NZ/AS 1554:2000 PT 1 CATEGORY SP UNLESS OTHERWISE STATED AND SHALL BE WELDED TO A QUALIFIED PROCEDURE, BY A WELDER QUALIFIED FOR THE APPROPRIATE POSITION AND SUPERVISED BY A WELDING SUPERVISOR. WIRE BUFF ALL STEEL COMPONENTS PRIOR TO WELDING

REV	DATE	COMMENT	NAME



TIDD ROSS TODD LTD
 48 Maui Street, Hamilton,
 New Zealand
 Phone: +64 7 849 4839
 Email: trt@trt.co.nz
 Website: trt.co.nz
 ISO9001:2015

	NAME	TITLE:	DATE
DRAWN	BGB		8/02/22
CHK'D	-		-
APPV'D	-		-

Tri Axle Widening Forklift Trailer		SHEET 3 OF 3	DWG NO.	REVISION
			428-001	A
DO NOT SCALE DRAWINGS IN mm's	STATUS - M	SCALE:1:50		