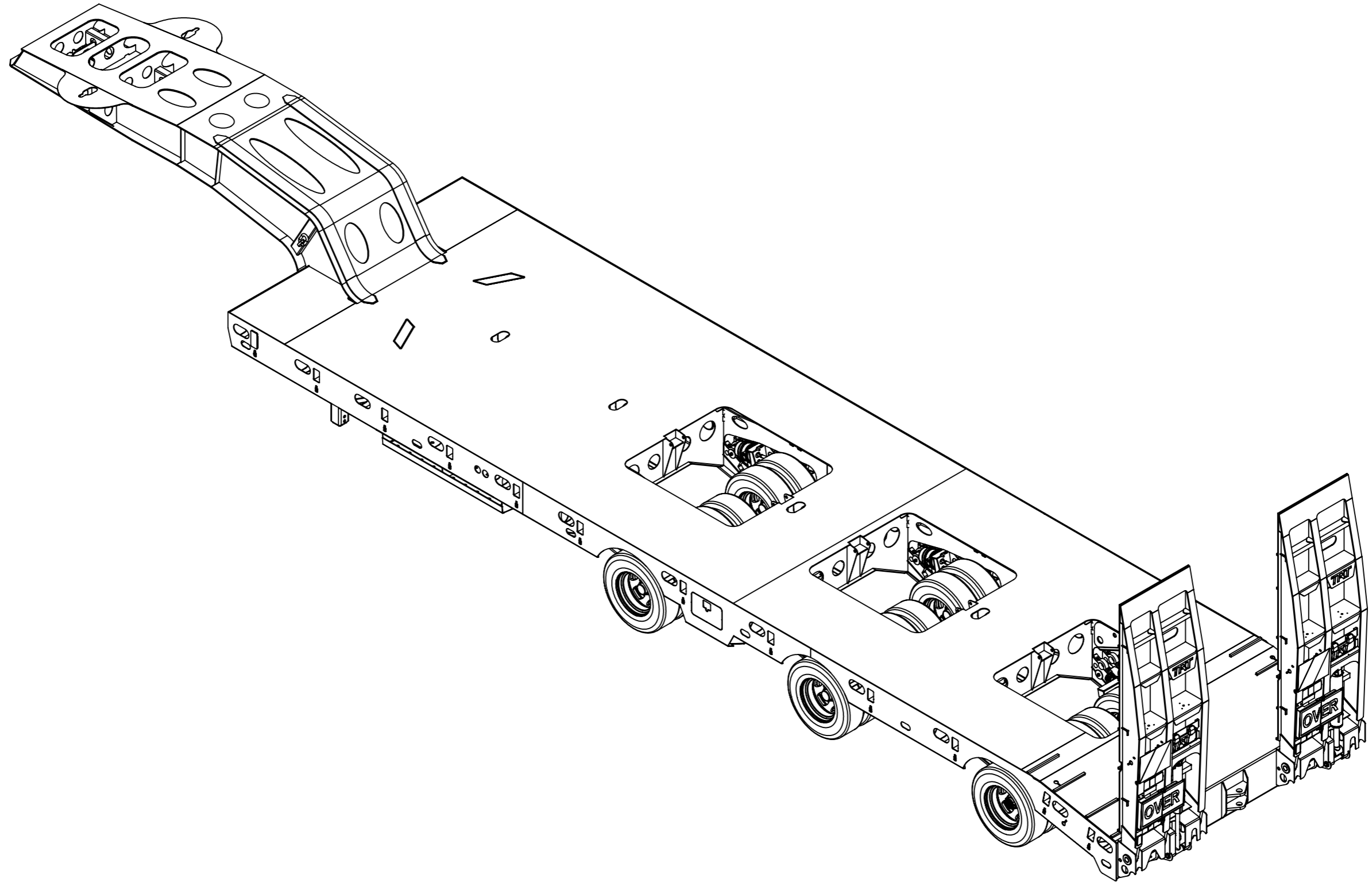
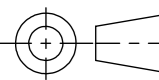


SPECIFICATIONS SUBJECT TO  
CHANGE WITHOUT NOTICE




**TOLERANCE** : ± 0.5mm UNLESS OTHERWISE STATED  
**WELDING**: ALL INFORMATION SHALL COMPLY WITH NZ/AS 1554:2000 PT 1 CATEGORY SP UNLESS OTHERWISE STATED AND SHALL BE WELDED TO A QUALIFIED PROCEDURE, BY A WELDER QUALIFIED FOR THE APPROPRIATE POSITION AND SUPERVISED BY A WELDING SUPERVISOR  
**WIRE BUFF ALL STEEL COMPONENTS PRIOR TO WELDING**

THIS DRAWING IS © COPYRIGHT AND IS THE PROPERTY OF TIDD ROSS TODD LTD.  
 IT IS FURNISHED TO YOU FOR CONFIDENTIAL INFORMATION PURPOSES ONLY AND IS NOT TO BE DISCLOSED TO ANYONE ELSE OR USED FOR MANUFACTURING PURPOSES WITHOUT THE EXPRESS WRITTEN PERMISSION OF TIDD ROSS TODD LTD.

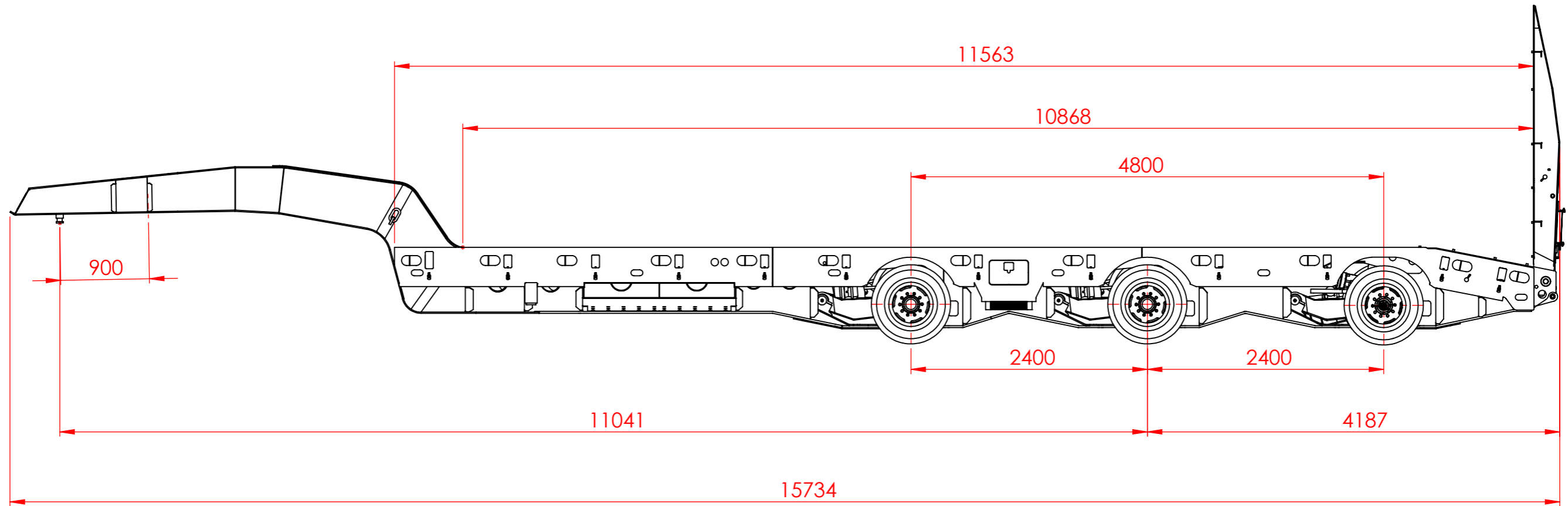
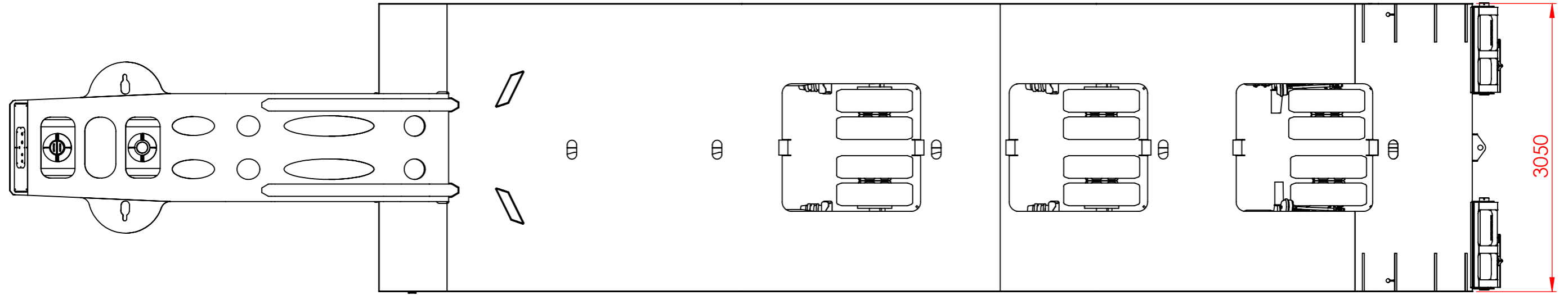
REV	DATE	COMMENT	NAME



48 Maui Street  
 Hamilton  
 New Zealand  
 Phone +64 7 849 4839  
 Fax +64 7 849 3628  
 Email : trt@trt.co.nz  
 ISO 9001

NAME	DATE	TITLE:	REVISION
DRAWN	DT	17/04/2018	3 X 8 FIXED WIDTH LOW LOADER
CHK'D	-	-	
APPV'D	-	-	
DO NOT SCALE DRAWINGS IN mm's	<b>STATUS - M</b>	SCALE:1:40	DWG NO. 104-A0W

SPECIFICATIONS SUBJECT TO  
CHANGE WITHOUT NOTICE



THIS DRAWING IS © COPYRIGHT AND IS THE PROPERTY OF TIDD ROSS TODD LTD. IT IS FURNISHED TO YOU FOR CONFIDENTIAL INFORMATION PURPOSES ONLY AND IS NOT TO BE DISCLOSED TO ANYONE ELSE OR USED FOR MANUFACTURING PURPOSES WITHOUT THE EXPRESS WRITTEN PERMISSION OF TIDD ROSS TODD LTD.

REV	DATE	COMMENT	NAME



**TIDD ROSS TODD LIMITED**

48 Maui Street  
Hamilton  
New Zealand  
Phone +64 7 849 4839  
Fax +64 7 849 3628  
Email : trt@trt.co.nz  
ISO 9001

	NAME	DATE
DRAWN	DT	17/04/2018
CHK'D	-	-
APPV'D	-	-

TITLE:		REVISION	
3 X 8 FIXED WIDTH LOW LOADER		A	
SHEET 2 OF 2	DWG NO.	104-A0W	
DO NOT SCALE DRAWINGS IN mm's	SCALE:1:45	STATUS - M	